



## ASSEMBLY MANUAL

Congratulations on the purchase of your Cosmos shed. This is an all-weather tool/utility shed.

The instructions in this manual will lead you step-by-step in the assembly of your Cosmos. It is important to follow them closely. Note that each part is labeled with a part number and its description.

The factory is not responsible for the incorrect use of any tools or equipment or mishandling of any building components.

Practice caution when lifting any heavy objects or components.

Always wear gloves during all assembly stages of the Cosmos.

Do not start the assembly procedure if any parts are missing. The assembly procedure should be carried out from beginning to end in one session. The assembly requires at least **two persons** and about 2 hours of work.

Make sure the building complies with your local building codes.

The building should be securely anchored to the foundation using suitable screws.

Do not assemble the building in high winds.

Please note: in all illustrations, parts shown shadowed (with oblique lines) belong to **EXTENSION PARTS ONLY**. If you install this model (without extension), please ignore these parts.

The Extension assembly instructions are included in this brochure.

Diagrams included are for the purpose of visual (assistance) reference only. Number of panels in diagrams do not represent contents of your shed.

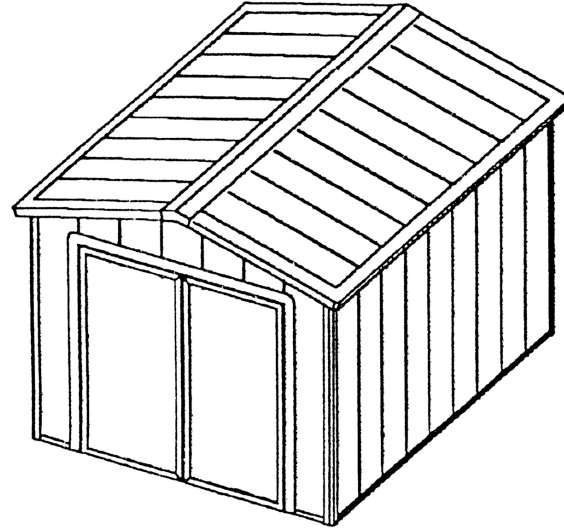
You may consult our Website at: **www.smsil.com**  
to find more information on our products and look for answers to frequently asked questions.

Customer Support Center in USA and CANADA 1-877-231-SHED



# C-8.57A2D

## PARTS LIST



### EXTERNAL WALL DIMENSIONS:

WIDTH: 112 1/2"

DEPTH: 93 3/4"

HEIGHT: 90"

### WITH EXTENSION:

WIDTH: 112 1/2"

DEPTH: 144"

HEIGHT: 90"

2

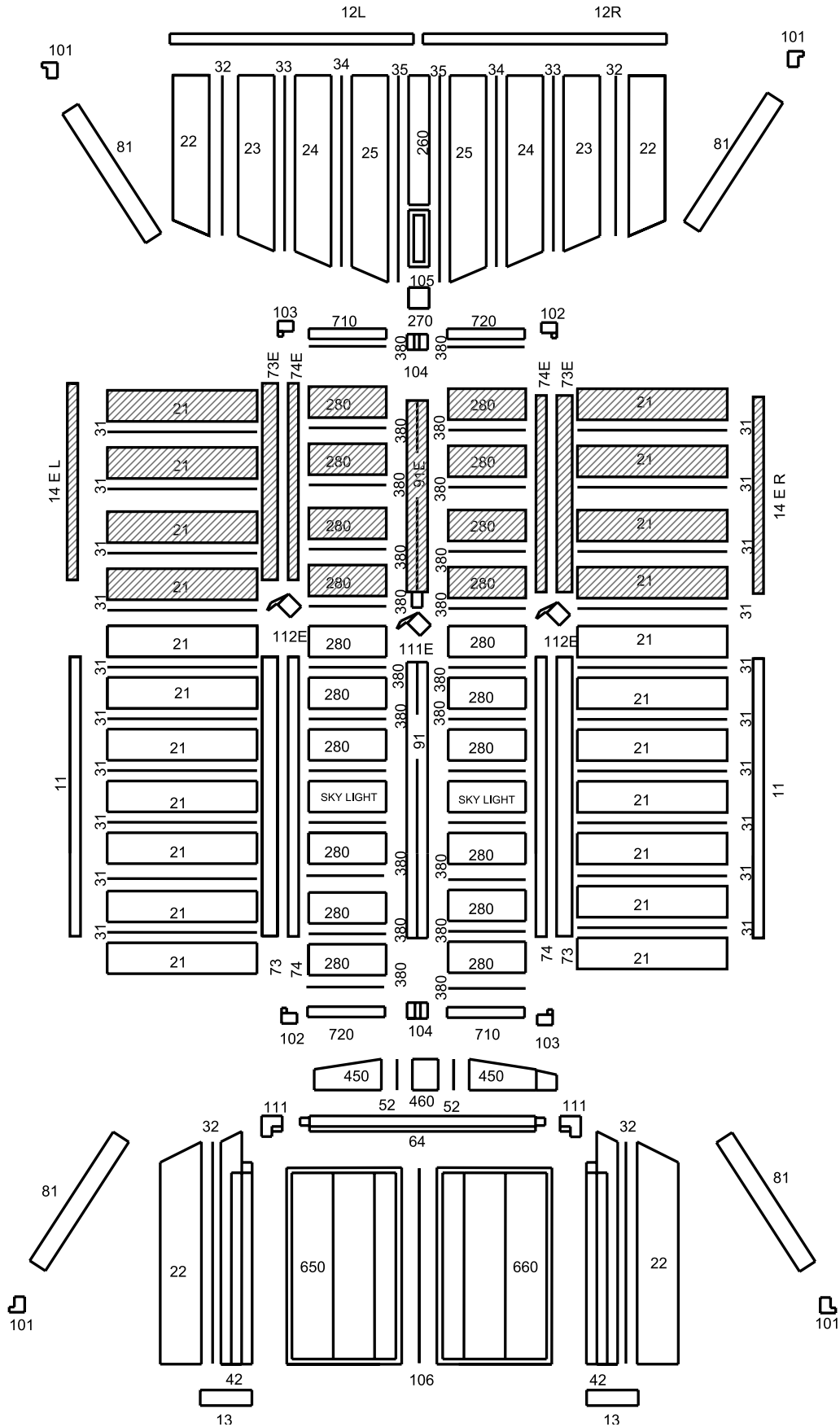
PART LIST	DIMENSION (inches)	PART NO	QTY	PART LIST	DIMENSION (inches)	PART NO	QTY
Side Metal channels	87 3/8"	11	2	Sky Light			2
Rear Metal channels	53 1/8"	12	2	Side Wall Cover Molds	88"	73	2
Front Metal channels	17 1/4"	13	2	Right Roof Guides	52 3/8"	710	2
Side wall Panels	71 3/4"	21	14	Left Roof Guides	52 3/8"	720	2
Rear Wall Panels	85 3/4"	25	2	Upper Door Frame (includes metal beam)	63"	64	1
Rear Wall Panels	75 3/4"	22	4	Left Door (160)	72 X 32 1/2"	65	1
Rear Wall Panels	79 1/4"	23	2	Right Door (160)	72 X 32 1/2"	66	1
Rear Wall Panels	82 1/2"	24	2	Main Roof Beam (Includes Metal Beam)	87 3/8"	91	1
Lower Vent Panel (160)	66 1/2"	260	1	Door Stopper	71 5/8"	106	1
Upper Vent Panel (160)	7 7/8"	270	1	Accessories (Small Parts All Boxed):			
Right Front Wall Panel (W/Door Frame) (160)	71 5/8"	41	1	Corner Molds		101	4
Left Front Wall Panel (W/Door Frame) (160)	71 5/8"	42	1	Left Corner Covers		102	2
Upper Door Short Panels	11 5/8"	450	2	Right Corner Covers		103	2
Upper Door Short Panel (160)	11 3/4"	460	1	Main Beam Caps		104	2
Roof Panels	59 7/8"	280	12	Door Frame Corners		111	2
Side Wall Smart Connectors	71 1/2"	31	12	Vent Window		105	1
Rear Wall Smart Connectors	75 3/8"	32	4	Upper Door Smart Connectors	11 1/4"	52	2
Rear Wall Smart Connectors	78 3/4"	33	2	Accessories Bag Includes :		107	
Rear Wall Smart Connectors	82"	34	2	Handles			2
Rear Wall Smart Connectors	85 3/8"	35	2	Slide Latch			1
Skylight Smart Connectors			4	Screws (includes extras)		Bag	1
Roof Smart Connectors	59 1/2"	380	12	"Self Drilling " Screws		Bag	1
Corner Posts	71 5/8"	81	4				
Roof Gutters	87 3/8"	74	2				

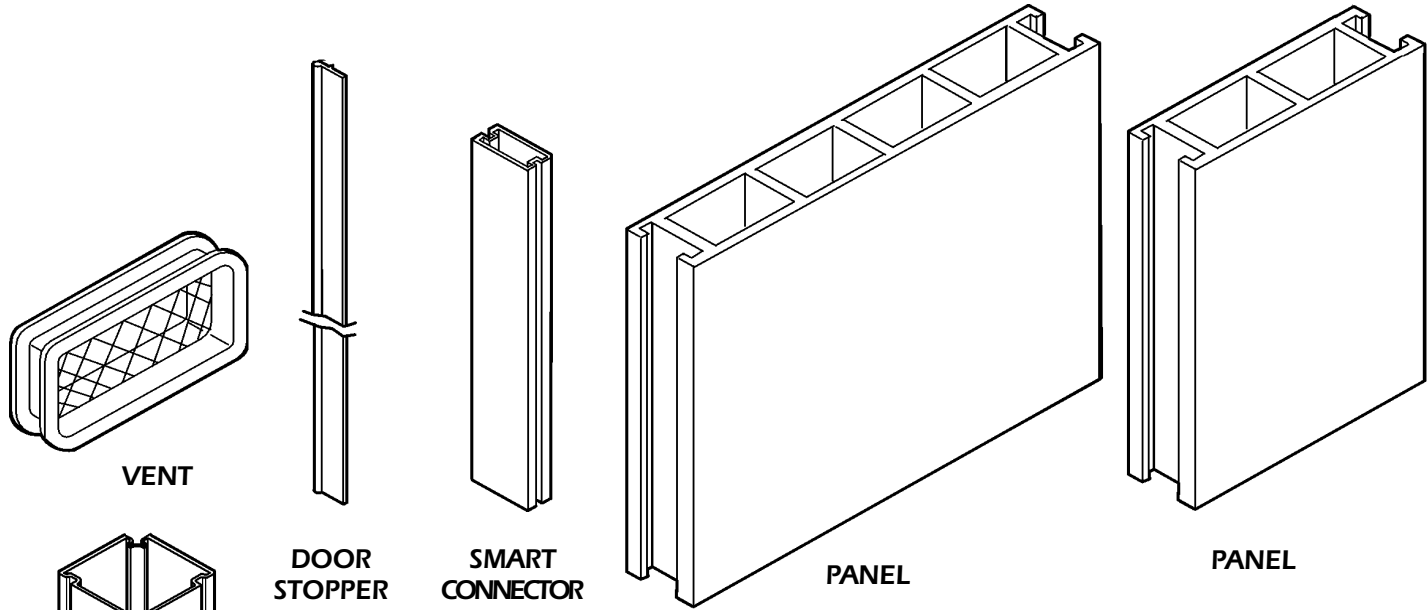
### EXTENSION KIT PARTS TABLE

Part Name	Dimensions: in (m)	Part No.	Qty
Extension Metal Channels	50" (1.28)	14	2
Side Wall Panels	71 3/4" (1.83)	21	8
Roof Panels	59 3/4" (1.52)	280	8
Side Wall Smart Connectors	71 1/2" (1.81)	31	8
Roof Smart Connectors	59 1/2" (1.51)	380	8
Side Wall Cover Mold Extension	50" (1.28)	73E	2
Plastic Roof Gutters Extension	50" (1.28)	74E	2
Main Roof Beam Extension	50" (1.28)	91E	1
Side Wall Floor Frame	50" (1.28)		2
Side Wall Floor Frame Connectors			2
Small Parts:			
Main Beam Junction Cover		111E	1
Roof Gutter Junction Cover		112E	2
Screws			50

# C-8.57A2D

## PARTS LAYOUT





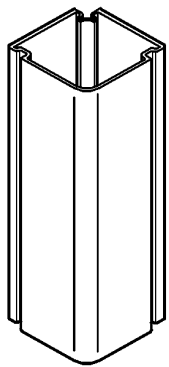
VENT

DOOR STOPPER

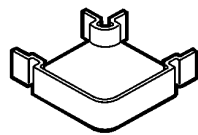
SMART CONNECTOR

PANEL

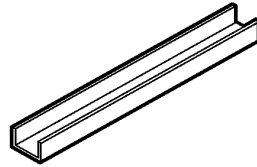
PANEL



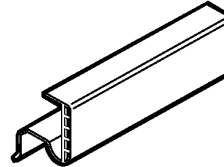
CORNER POST SMART CONNECTOR



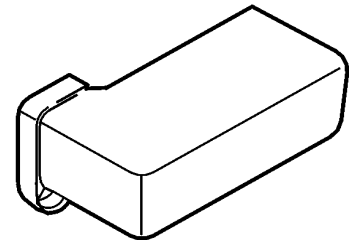
LOWER CORNER MOLD



"U" CHANNEL

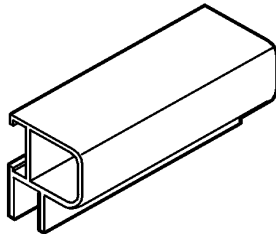


GUTTER

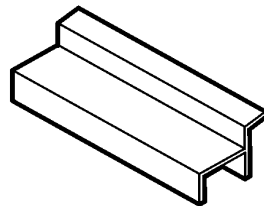


PLASTIC CORNER COVER

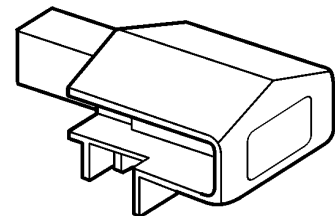
4



ROOF GUIDE R+L





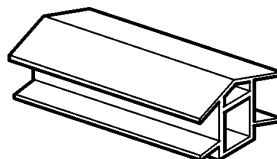
SIDE WALL COVER MOLD



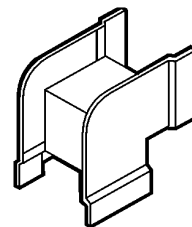
MAIN BEAM CAP WITH METAL CONNECTOR

**For Extension Only**

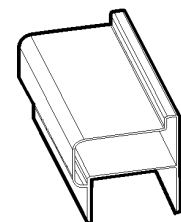
111E 	112E 
MAIN ROOF BEAM EXT. COVER	GUTTERS EXT. COVER



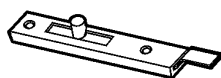
MAIN ROOF BEAM



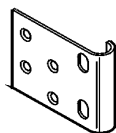
DOOR FRAME CORNER



DOOR FRAME PRE-ASSEMBLED TO



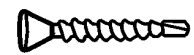
SLIDE LATCH



DOOR HANDLE



SMALL SCREW



LARGE SCREW

### Concrete slab option:

See illustrations A+B

Slab should be 4" thick. The slab needs to be completely level. Ensure that corners are square.

#### Materials needed (not included):

For 10' x 8' shed

(4) 2" x 4" x 10' (5.08cm x 10.16cm x 305cm) pressure treated studs

(2) 2" x 4" x 8' (5.08cm x 10.16cm x 244cm) pressure treated studs

Concrete volume 100" x 115" x 4" (10.16cm) thick slab

#### Extra Materials needed for Extension:

(1) 2" x 4" x 8' (5.08cm x 10.16cm x 244cm) pressure treated studs

(2) 2" x 4" x 10' (5.08cm x 10.16cm x 305cm) pressure treated studs

Concrete volume 50" x 120" x 4" (10.16cm) thick slab

#### Cut sizes:

From (2) 2" x 4" x 10' (5.08cm x 10.16cm x 305cm) cut:

(2) 2" x 4" x 115" (5.08cm x 10.16cm x 292.1 cm)

From (2) 2" x 4" x 10' (5.08cm x 10.16cm x 305cm) cut:

(2) 2" x 4" x 100" (5.08cm x 10.16cm x 254cm)

(2) 2" x 4" x 16" (5.08cm x 10.16cm x 40.64cm) with pointed ends

From (2) 2" x 4" x 8' (5.08cm x 10.16cm x 244cm) cut:

(12) 2" x 4" x 16" (5.08cm x 10.16cm x 40.64cm) with pointed ends

#### Cut sizes for extension:

From (1) 2" x 4" x 8' (5.08cm x 10.16cm x 244cm) cut:

(5) 2" x 4" x 16" (5.08cm x 10.16cm x 40.64cm) with pointed ends

From (1) 2" x 4" x 10' (5.08cm x 10.16cm x 305cm) cut:

(2) 2" x 4" x 50" (5.08cm x 10.16cm x 127cm)

(1) 2" x 4" x 16" (5.08cm x 10.16cm x 40.64cm) with pointed ends

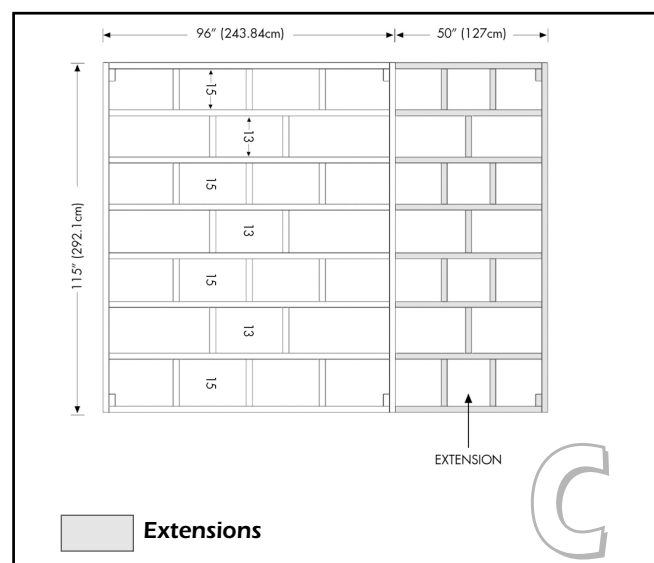
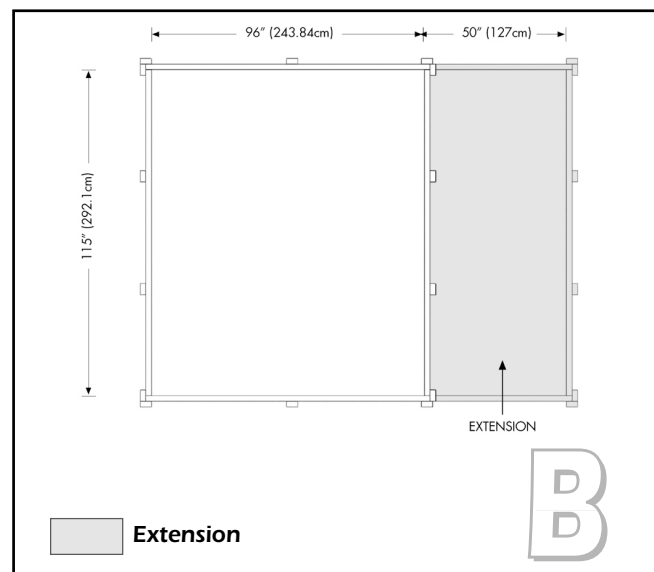
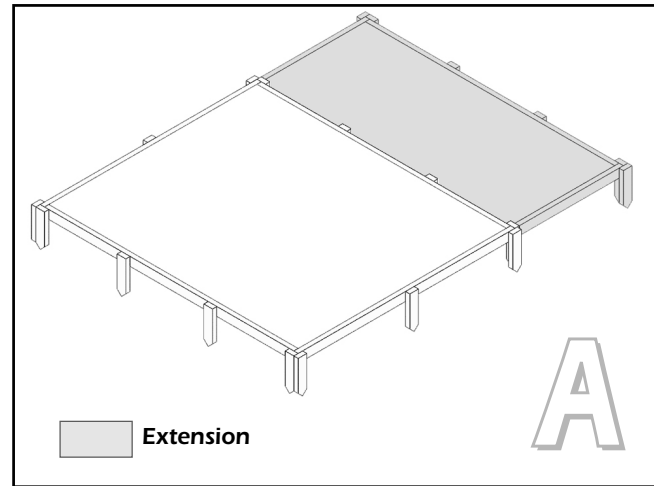
From (1) 2" x 4" x 10' (5.08cm x 10.16cm x 305cm) cut:

(1) 2" x 4" x 115" (5.08cm x 10.16cm x 292.1 cm)

### Wood platform option:

See illustrations C+D+E

Ensure that the corners are square and the platform



is completely level. Level the ground, and remove the grass around the platform area.

Have lumber cut to size as listed below. Screw together with 3" (7cm) screws as shown in plan.

Position platform on chosen site and drive stakes into ground in order to anchor platform.

**Materials needed (not included):**

For 10' x 8' shed (Platform measurements 96" x 115"-243.84cm x 292.1cm)

(10) 2" x 4" x 10' (5.08cm x 10.16cm x 305cm) pressure treated studs

(2) 2" x 4" x 8' (5.08cm x 10.16cm x 244cm)

(3) 3/4" x 4' x 8' (1.9cm x 122cm x 244cm) exterior grade plywood

**Extra Materials needed for Extension:**

For 10' x 12' shed (Platform measurements 115" x 146"-292.1cm x 370.84cm)

(2) 2" x 4" x 10' (5.08cm x 10.16cm x 305cm) pressure treated studs

(5) 2" x 4" x 8' (5.08cm x 10.16cm x 244cm) pressure treated studs

(2) 3/4" x 4' x 8' (1.9cm x 122cm x 244cm) Exterior grade plywood

**Cut sizes:**

From (2) 2" x 4" x 8' (5.08cm x 10.16cm x 244cm) cut:

(12) 2" x 4" x 15" (5.08cm x 10.16cm x 38.1cm) pointed for stake

**6**

From (2) 2" x 4" x 10' (5.08cm x 10.16cm x 305cm) cut:

(2) 2" x 4" x 115" (5.08cm x 10.16 cm x 292.1 cm)

From (8) 2" x 4" x 10' (5.08cm x 10.16cm x 305cm) cut:

(8) 2" x 4" x 92" ( 5.08cm x 10.16cm x 233.68cm)

(4) 2" x 4" x 18" (5.08cm x 10.16cm x 45.72cm) with pointed ends

(6) 2" x 4" x 13" (5.08cm x 10.16cm x 33.02cm)

**Plywood:**

From (2) 3/4" x 4' x 8' (1.9cm x 122cm x 244cm) cut:

(2) 3/4" x 48" x 96" (1.9cm x 121.92cm x 243.84cm)

From (1) 3/4" x 4' x 8' (1.9cm x 122cm x 244cm) cut:

(1) 3/4" x 19" x 96" (1.9cm x 48.26cm x 243.84cm)

**Cut sizes for extension:**

From (4) 2" x 4" x 8' (5.08cm x 10.16cm x 244cm) cut:

(8) 2" x 4" x 48" ( 5.08cm x 10.16cm x 121.92cm)

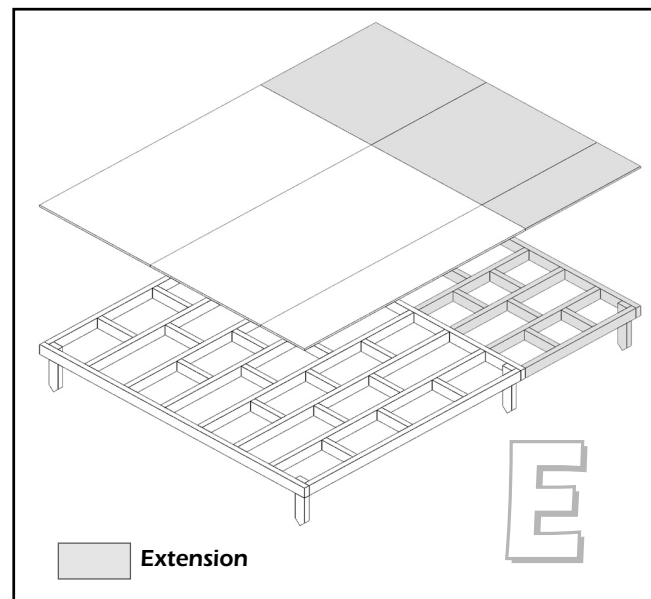
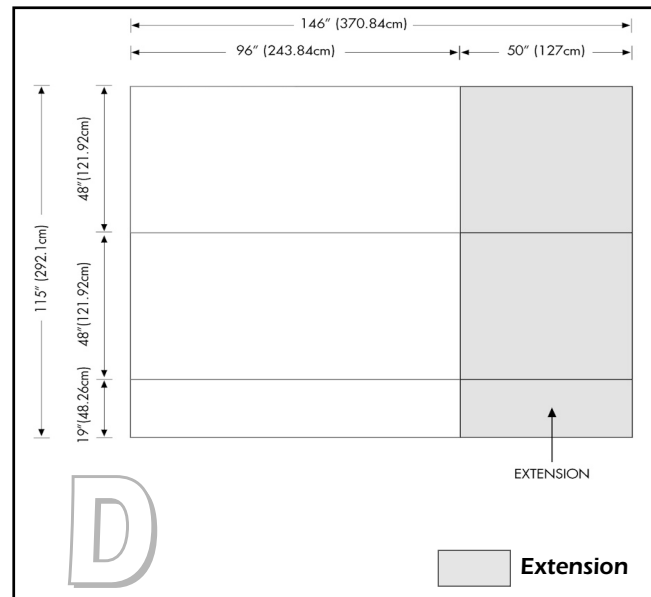
From (1) 2" x 4" x 10' (5.08cm x 10.16cm x 305cm) cut:

(1) 2" x 4" x 115" (5.08cm x 10.16 cm x 292.1 cm)

From (1) 2" x 4" x 10' (5.08cm x 10.16cm x 305cm) cut:

(7) 2" x 4" x 15" (5.08cm x 10.16cm x 38.1cm)

From (1) 2" x 4" x 8' (5.08cm x 10.16cm x 244cm) cut:



(2) 2" x 4" x 18" (5.08cm x 10.16cm x 45.72cm) with pointed ends

(1) 2" x 4" x 15" (5.08cm x 10.16cm x 38.1cm) pointed for stake

(3) 2" x 4" x 13" (5.08cm x 10.16cm x 33.02cm) pointed for stake

**Plywood for extension:**

From (2) 3/4" x 4' x 8' cut:

(2) 3/4" x 48" x 50" (1.9cm x 121.92cm x 127cm)

(1) 3/4" x 19" x 25" (1.9cm x 48.26cm x 63.5cm)



**The building foundation must be ready, dry and leveled before you start unpacking and assembling the shed.**

Once you have finished preparing the foundation surface, proceed to the next step: **Unpacking the crate with the Cosmos kit.**

(3) 2" x 4" x 13 1/2" (5.08cm x 10.16cm x 34.29cm)

From (2) 2" x 4" x 10' (5.08cm x 10.16cm x 305cm) cut:

(2) 2" x 4" x 115" (5.08cm x 10.16 cm x 292.1 cm)

From (4) 2" x 4" x 10' (5.08cm x 10.16cm x 305cm) cut:

(8) 2" x 4" x 92" ( 5.08cm x 10.16cm x 233.68cm)

(1) 2" x 4" x 13 1/2" (5.08cm x 10.16cm x 34.29cm)

(7) 2" x 4" x 14" (5.08cm x 10.16cm x 35.56cm)

From (1) 2" x 4" x 10' (5.08cm x 10.16cm x 305cm) cut:

(3) 2" x 4" x 16 1/2" (5.08cm x 10.16cm x 41.91 cm)

(4) 2" x 4" x 13 1/2" (5.08cm x 10.16cm x 34.29cm)

#### **Plywood:**

From (2) 3/4" x 4' x 8' (1.9cm x 122cm x 244cm) cut:

(2) 48" x 96" (121.92cm x 243.84cm)

From (1) 3/4" x 4' x 8' (1.9cm x 122cm x 244cm) cut:

(1) 19" x 96" (48.26cm x 243.84cm)

#### **Cut sizes for extension:**

From (4) 2" x 4" x 8' (5.08cm x 10.16cm x 244cm) cut:

(8) 2" x 4" x 48" ( 5.08cm x 10.16cm x 121.92cm)

From (1) 2" x 4" x 10' (5.08cm x 10.16cm x 305cm) cut:

(1) 2" x 4" x 115" (5.08cm x 10.16 cm x 292.1 cm)

From (1) 2" x 4" x 10' (5.08cm x 10.16cm x 305cm) cut:

(2) 2" x 4" x 18" (5.08cm x 10.16cm x 45.72cm)  
pointed for stakes

(5) 2" x 4" x 13 1/2" (5.08cm x 10.16cm x 34.29cm)

From (1) 8' x 2" x 4" x 8' (5.08cm x 10.16cm x 244cm) cut:

(3) 2" x 4" x 16 1/2" (5.08cm x 10.16cm x 41.91 cm)

(5) 2" x 4" x 14" (5.08cm x 10.16cm x 35.56cm)

#### **Plywood for extension:**

From (2) 3/4" x 4' x 8' cut:

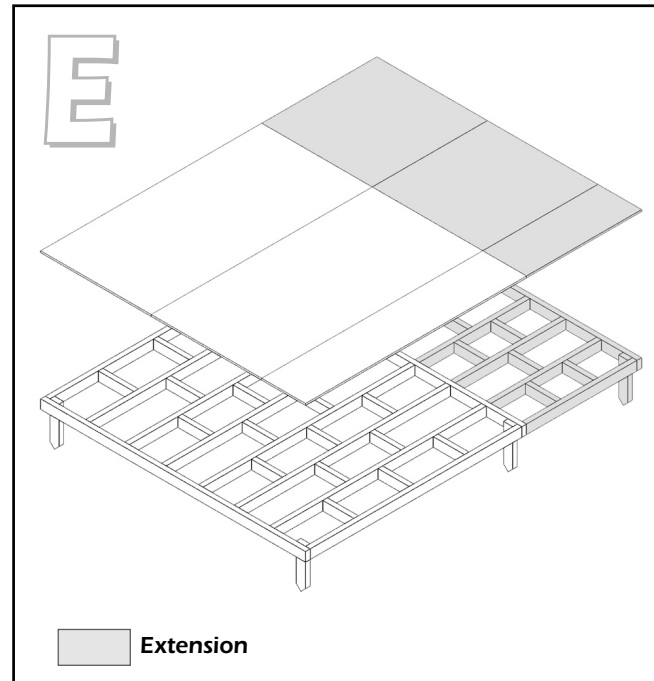
(4) 48" x 50" (121.92cm x 127cm)

(1) 19" x 50" (48.26cm x 127cm)



**The building foundation must be ready, dry and leveled before you start unpacking and assembling the shed.**

Once you have finished preparing the foundation surface, proceed to the next step: **Unpacking the crate with the Cosmos kit.**



## **2. UNPACKING THE CRATE WITH THE COSMOS KIT**

Find a large area close to the assembly site (at least 16' by 22' (4,88m x 6,70m) where you will lay out the parts to be assembled.

**7**

Open the plastic wrapping.

Very carefully, lay out all the Cosmos kit parts in the manner shown on page 3. Find the box containing the Accessories and leave it on the side (you will use them later on). Although this operation might take some time, it is very important to carry it out as described, for two reasons:

- To make sure you have all the parts needed (review the parts list above). If parts are missing, do not start the assembly procedure, CALL 1-877-231-SHED. in U.S.A. or website: [www.smsil.com](http://www.smsil.com)
- A careful layout of the parts will help guide you through the assembly procedure.

Once you have finished laying out the parts, proceed to the next step: **Floor Frame Kit (page 15 on this manual) before proceeding to U Channel Assembly.**

### 3. U CHANNEL ASSEMBLY

Lay out the U Channels. The U Channel components should be placed about 1" (3cm) from the border of the foundation. (Or on floor frame kit).

Start with the rear channel (starting with extension channels if purchased), place it at the rear end of the foundation, in such a manner that the distances remaining on the right and left are equal (use the tape measure). (See illustration 1).



**Square the corners using the 3-4-5 triangle technique, adjusting the lines until two points 3 feet and 4 feet from the intersection are exactly 5 feet apart (See illustration 2).**

Then attach two corner molds on both ends of the channels (you will find them in the accessories box where you found the screws). The corner molds have guides which fit on the outside of the channel.

Place the Side Channels {In extended sheds begin with the extension channel. In order to make sure that they are actually in a straight line. You may use one of the wall panels as a ruler (See illustration 4)}. Make sure the Channels are at a 90° angle to the rear channels using a carpenter's square. (See illustration 2.)

8

Measure the diagonals with a measuring tape. They should be equal. Place the corner molds at both ends, and proceed to lay down the two short Front Channels, one on each side. A gap should be left for the doors. (See illustration 3.)

(See illustration 3.)



**Place line of acrylic silicon caulking on the underside parts of channels and corners from inside only.**

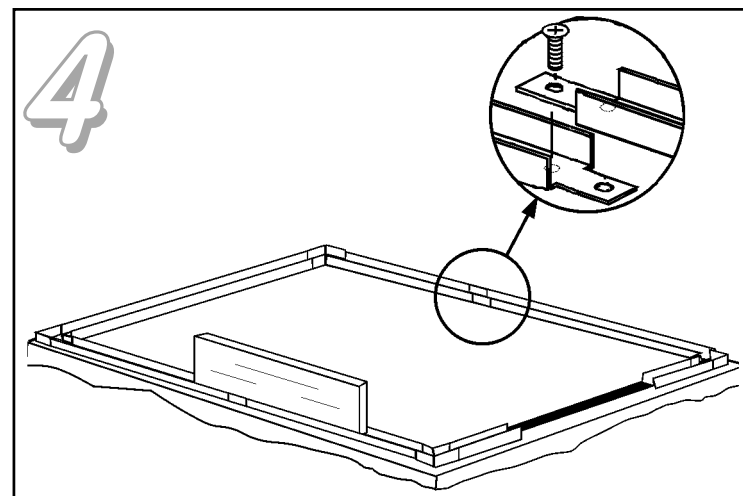
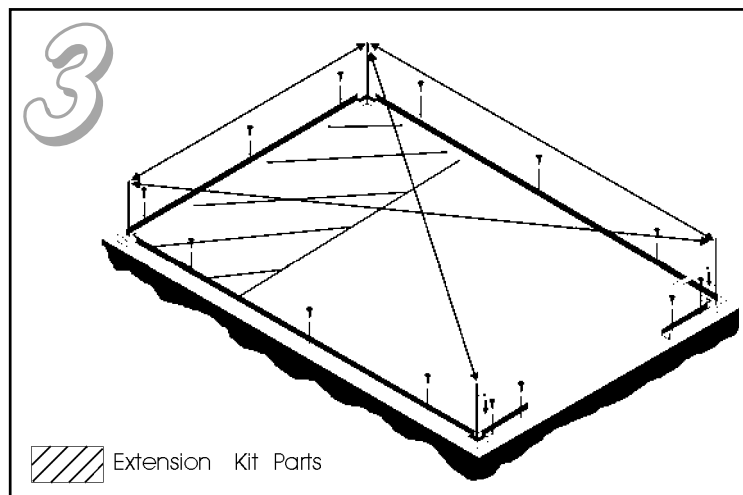
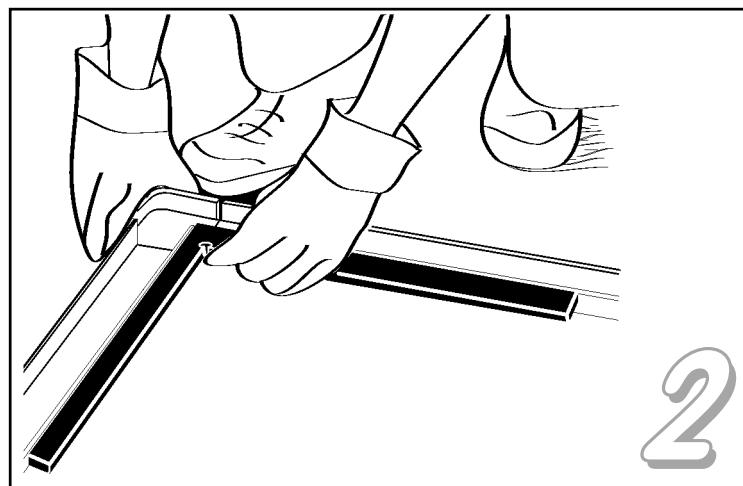
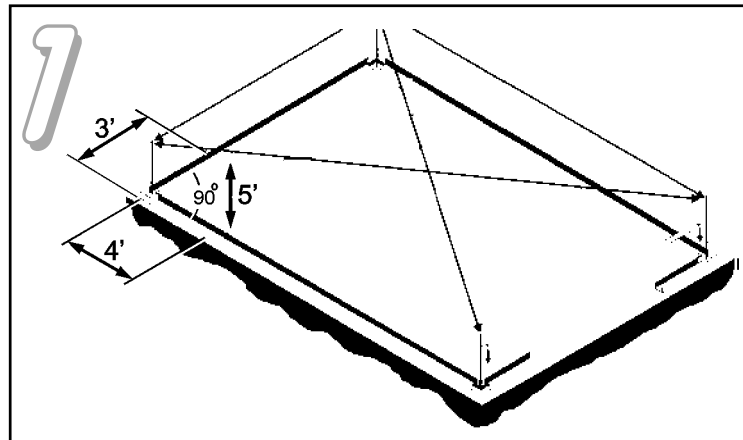
Anchor the U Channels to the foundation using screws you prepared beforehand. Place the screws using the predrilled holes in the U Channels as guides (see the following note first), If holes are not provided in the U Channel, place a screw every 12" (0.3 m).

Also anchor the corner molds using a single screw in the hole provided. (See illustration 3.)



**It is very important for the U Channels to be placed at 90° angles. Since you have first placed the Channels without anchoring, these might have moved during the operation. Use the carpenter's square to check the corners again before you anchor every channel part.**

Now you may proceed to the next step: **Building the walls.**



## 4. BUILDING THE WALLS



**All wall and roof panels connect with Smart Connectors. These should slide in easily; however, you may use a liquid soap or detergent (dish washing detergent will do) and/or mallet in order to make the operation even easier.**

Start building the rear and side walls. Start with a right rear corner: place a Side Wall Panel (any panel will do since they are all the same) and a Rear Wall Panel close to the corner. Connect them with a Corner Post. Make sure the Corner Post slides in all the way down into the corner mold. (See illustration 5.)

Place the rest of the side panels in the U Channel and connect them with the Side Wall Smart Connectors. (See illustration 6.)

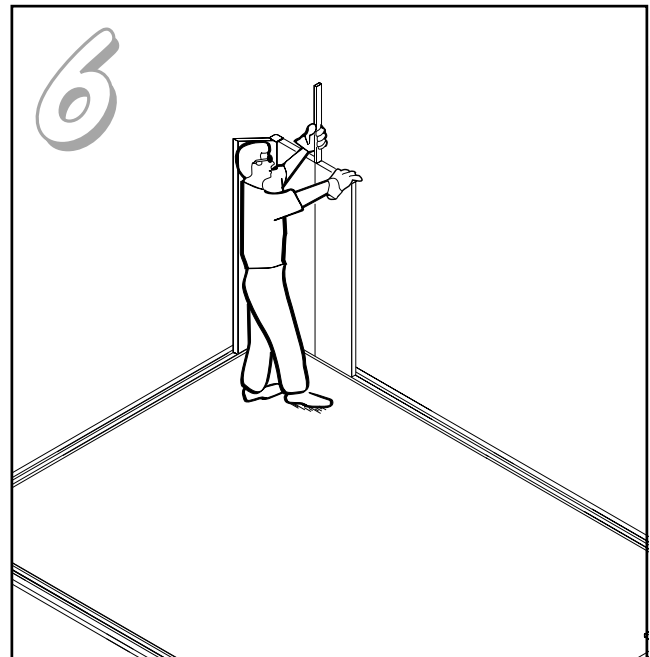
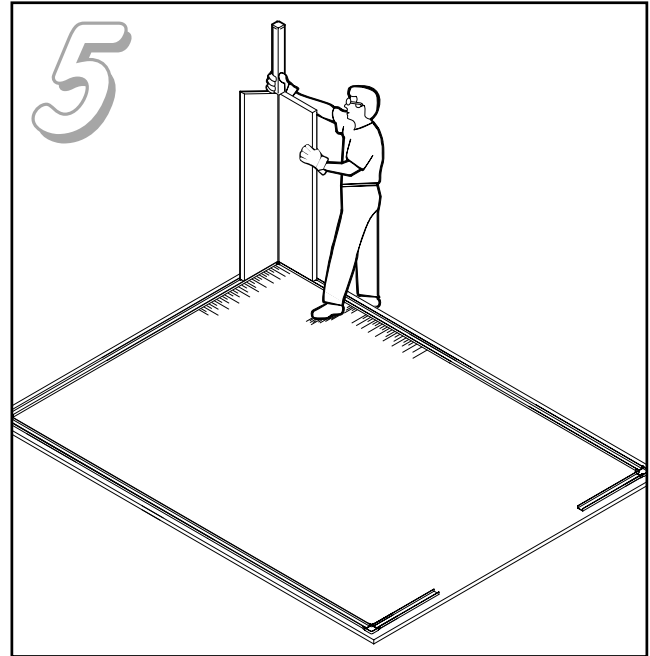
Now proceed to finish the rear wall. Using the appropriate panels, place the panels one by one in the U Channel, always connecting them with the appropriate Smart Connectors.

The remaining Lower Vent Panel should fit in the middle of the rear wall. Connect it to the other panels using the Smart Connector.

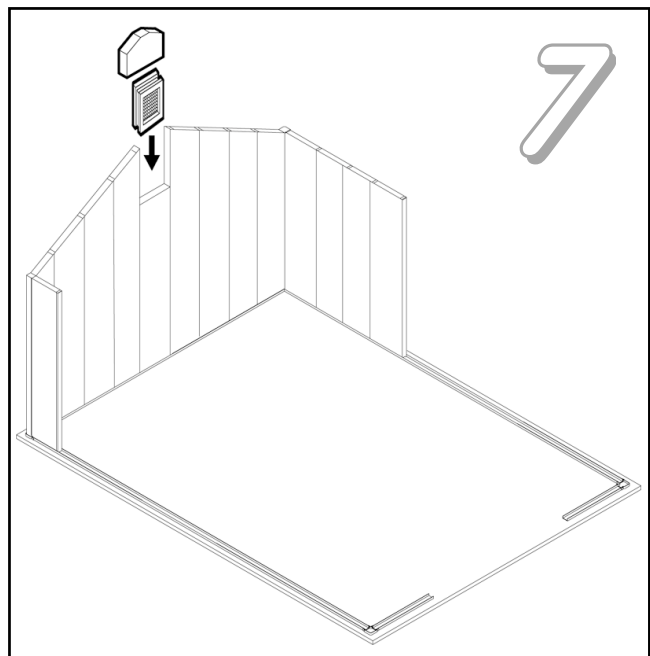
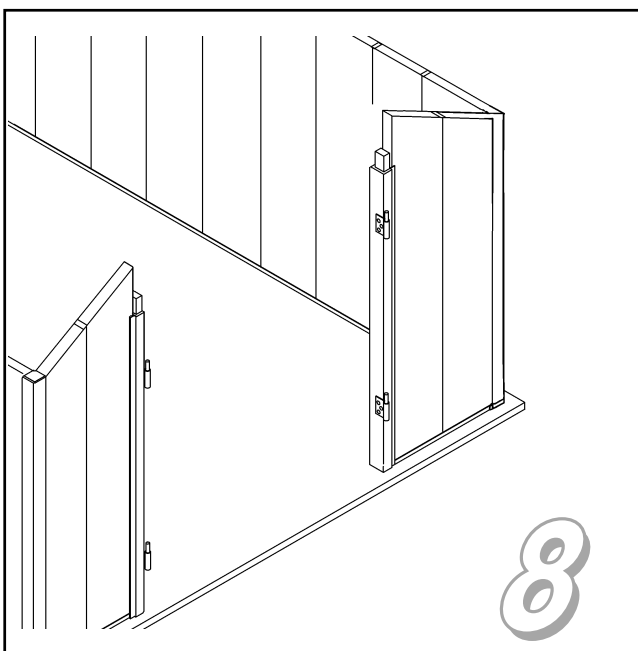
Placing the rear vent:

Slide in the Vent Window. Next, slide in the Upper Vent Panel. (See illustration 7.)

Next, place the Front panels in their place (right and left) and connect them to the Corner Post. (See illustration 8).



9



Now that you have erected the walls of your Cosmos you may proceed with the next step:  
**Placing the door frames.**

## 5. PLACING THE DOOR FRAMES

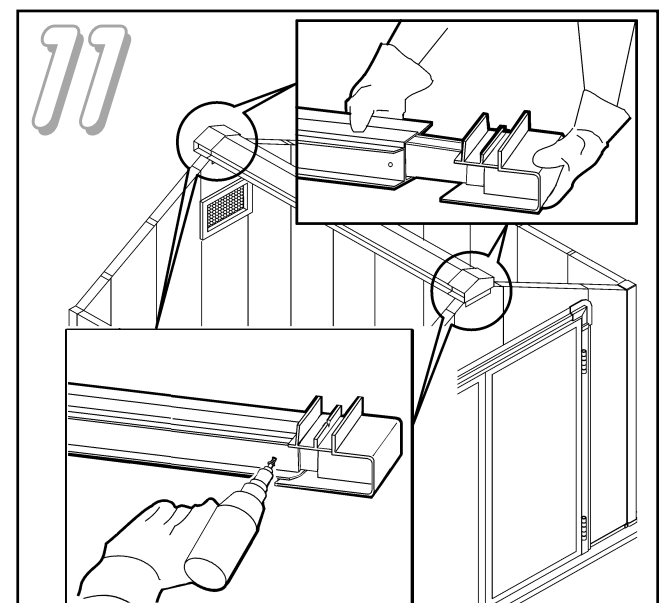
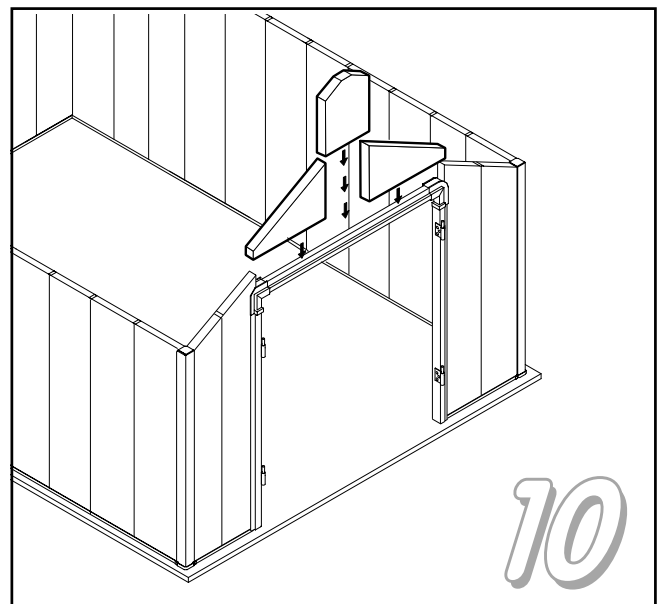
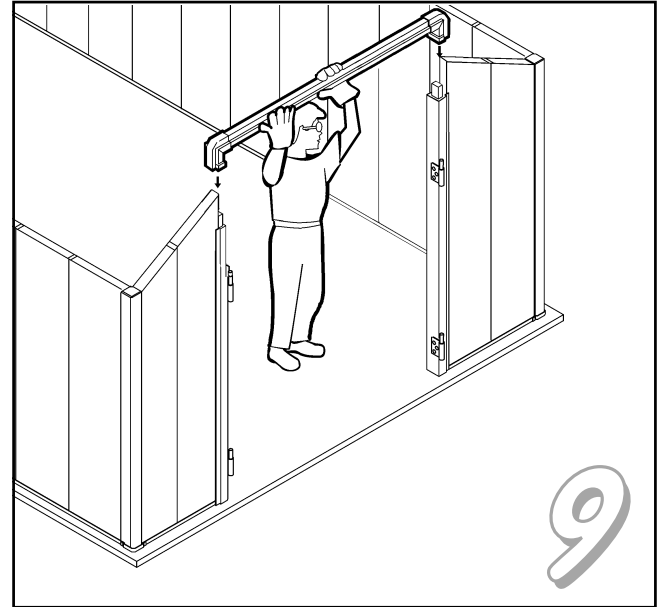
The door hinges come pre-mounted on a Front Wall panel. The hinged frames come with a metal beam inside. All you have to do is connect the Door Framed panels to the Front Panels, right and left, using Smart Connectors.

Now, connect the two Door Frame Corners onto the Upper Door Frame.

Next, place the Upper Door Frame on top of the door frame. The Upper Door Frame slides into the Lateral Door Frames: you should push it in gently but firmly. (See illustration 9.)

Next, slide in the smart connectors and insert the triangular Upper Door Panels and the Central Upper Door Panel (See illustration 10)

Now you may proceed to the next step:  
**Placing the main beam and door/s.**



10

## 6. PLACING THE MAIN ROOF BEAM AND DOORS

First, slide in the Main Beam Caps on both ends of the Main Roof Beam while still on the ground. Before mounting it, tighten only one side with screws. (See illustration 11). The second side should be tightened only after placing the first Roof Panels on one side of the roof.

Place the Main Roof Beam on the highest part of the structure.

The structure comes with ready prepared guides in order to facilitate the placing of the beam exactly in place. Tighten with screws. (See illustration 12.)

Slide doors into pre-mounted hinges. (See illustration 13.)

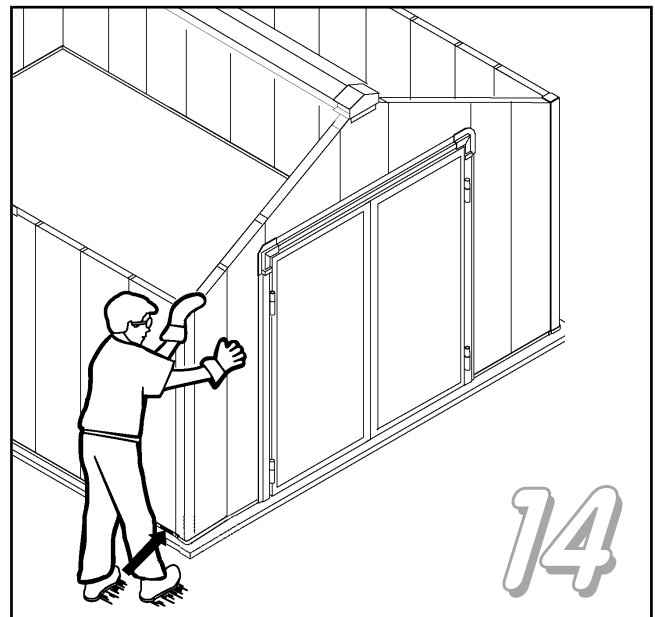
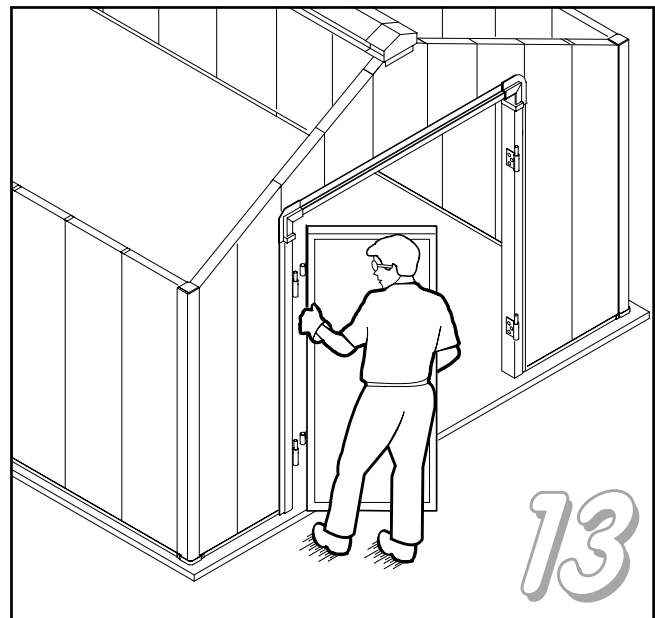
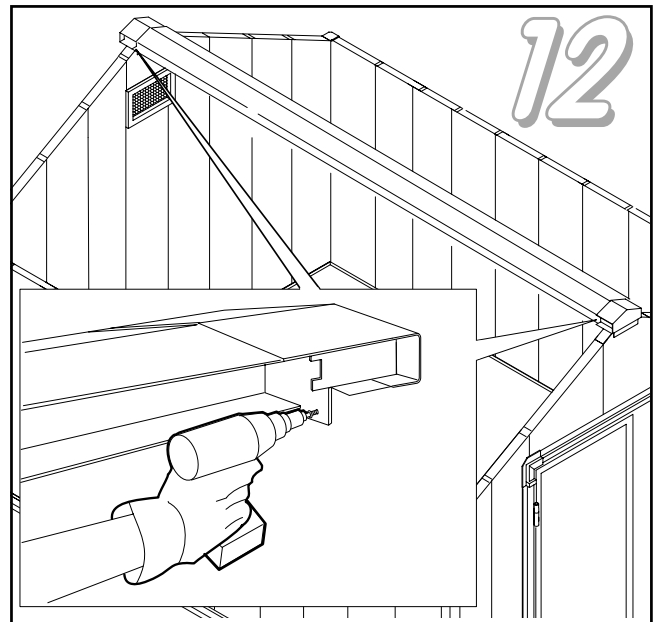
Once the doors have been set in place, make sure the structure is properly aligned. This is done by closing the doors: they should close easily and should be aligned at the top and bottom. If they are not aligned, push the structure from the side to force it into alignment. (See illustration 14.)

If the space between the doors is not equal throughout its length, this can be corrected by gently tapping the lower section of the structure with a mallet held against a wooden plank (to soften the blow of the mallet).

(See arrow in illustration 14)

Now you are ready to start the next step: **laying the roof.**

**Keep doors shut throughout roof assembly.**

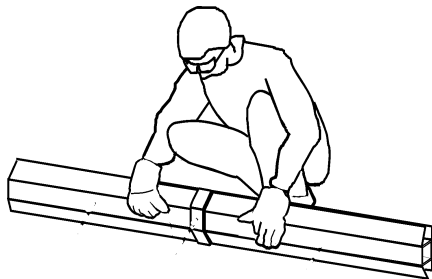


11

#### **Preparing an extended Main Roof Beam (Extended sheds only)**

Place both the Main Roof Beam and its Extension on the floor. Insert the Extension Beam into the Main Roof Beam. The Extension should fit into the Main Beam without effort.

Place the Main Beam Extension Junction Cover on top of the overlap between the Main Beam and its extension. **The Beam and the Extension should slide together and be secured with 4 screws on each side only after the plastic cover fits snugly in its place.**



## 7. ROOFING

Place the Roof Guide as shown in illustration 15, with the larger part facing out and the open channel side facing in.

Once all four Roof guides are in place, install the Side Wall Cover Molds {in extended sheds together with their extensions} [See illustration 16]

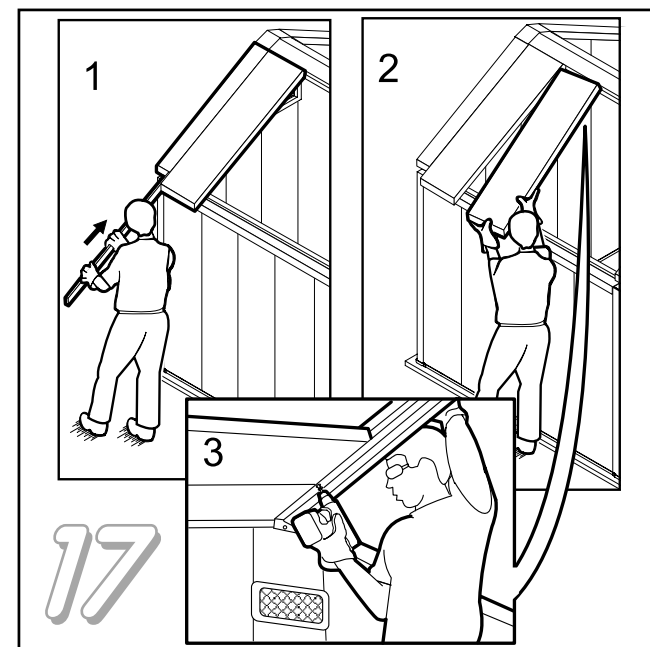
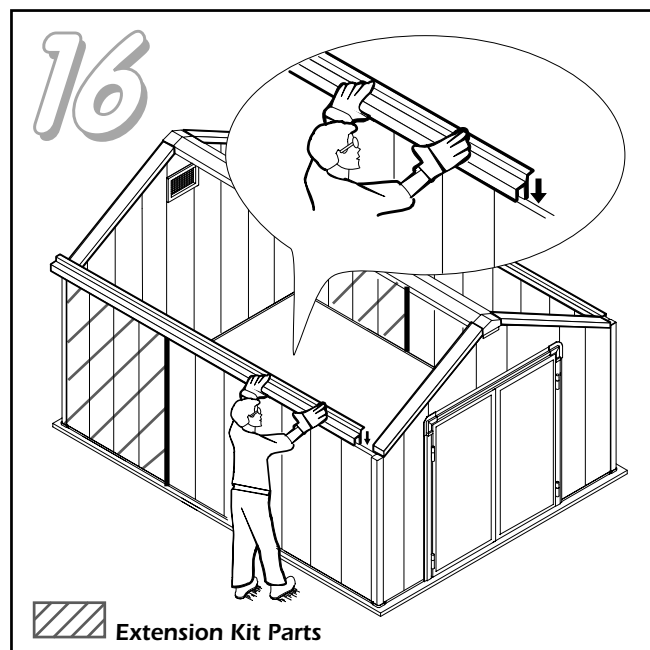
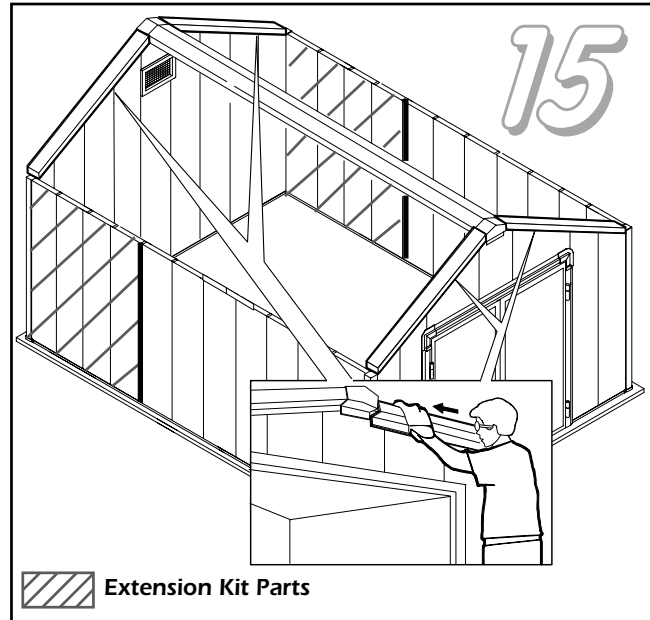
Now start mounting the Roof Panels.

This operation should be carried out by at least two persons, one inside and one outside the structure, in order to facilitate the insertion of the panels into the guide in the Main Roof Beam.

Connect the roof panels with the appropriate Smart Connectors in the same manner as you did with the wall panels. We suggest you start with the rear left, and continue towards the center.

(See illustration 17+18.)

Once you have mounted the first panels on one side of the roof, tighten the second Roof Cup with a screw. (See illustration 11.)



12



**We suggest you tighten with a screw every Roof Panel you slide into place, on the inside and into the Main Roof Beam, in order to avoid its sliding out again. In general, screws that tighten panels should be placed to the left and right of their junction line (see note below in "Tightening and finishing the structure").**



**We recommend you tighten the screws until they are flush with the panels (but no further). If you are using a clutched screwdriver, set the torque to an intermediate position.**



**When installing Skylight, please follow instructions on page 16 of this manual. Place skylight towards the middle on each side of the roof.**

Once the roof panels are in place, place the Roof Gutters. (See illustration 20.)

Now insert the corner cover and tighten them with screws on top and bottom. (See illustration 19.)

Your Cosmos shed should now be completely assembled. Inspect it to make sure that no parts are missing, and that everything is in its proper place.

You are now ready for the last step of the operation: **Tightening and Finishing the Structure.**

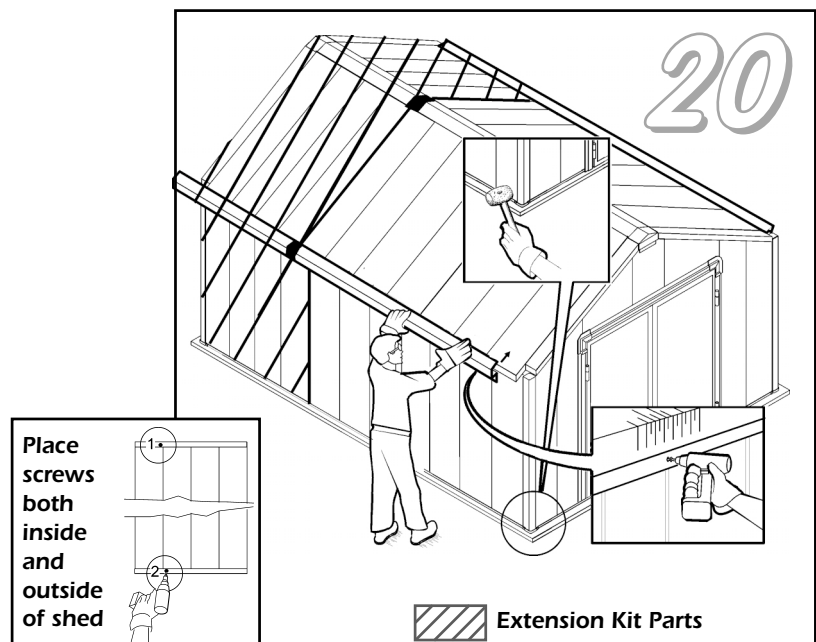
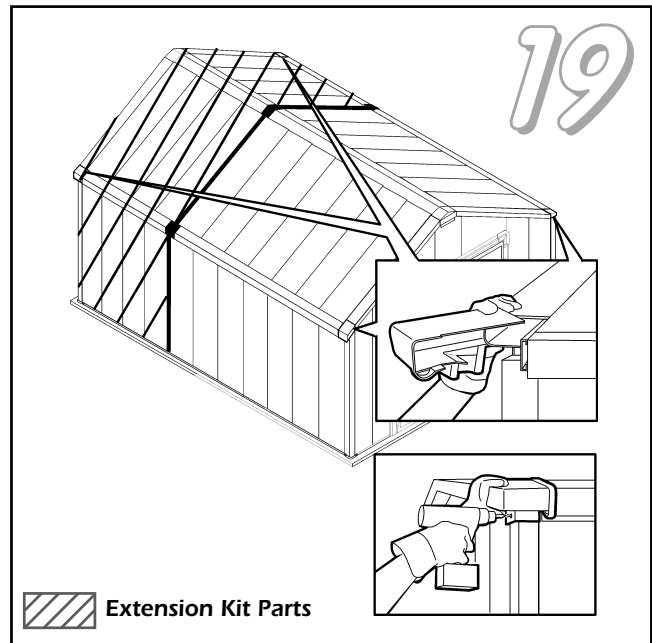
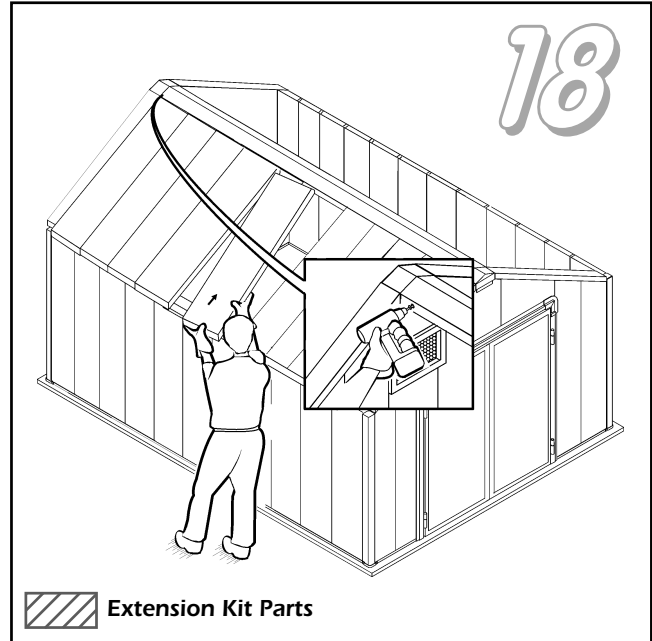
## 8. TIGHTENING AND FINISHING THE STRUCTURE

First of all, close the doors, look at the structure and make sure it is standing straight. If not, push it a little from one of the corners until it stands straight. Double check that the doors are aligned at the top and bottom. (See illustration 14 on page 8).

At this point, you should also use your carpenter square to verify that all angles are exactly 90°.

Now tighten the structure by placing screws on the outside, tighten the Roof Gutters using the short screws provided. (See illustration 20.)

In the upper part of each panel, place the screws about a quarter inch (7mm) to the right of the panel union line. In the lower part of each panel, place the screws about a quarter inch (7mm) to the left of the panel union line. Do so both on the outside and the inside the structure. (See illustration 22.)



Affix the Door Stopper using the screws provided on the inside of the left door, along its inner long edge. Make sure it is straight.

Place the Door Latch on the inside of the left door, so the latch is flush -or a bit below- the upper edge of the door. Use two 1" screws (provided) to tighten into place.

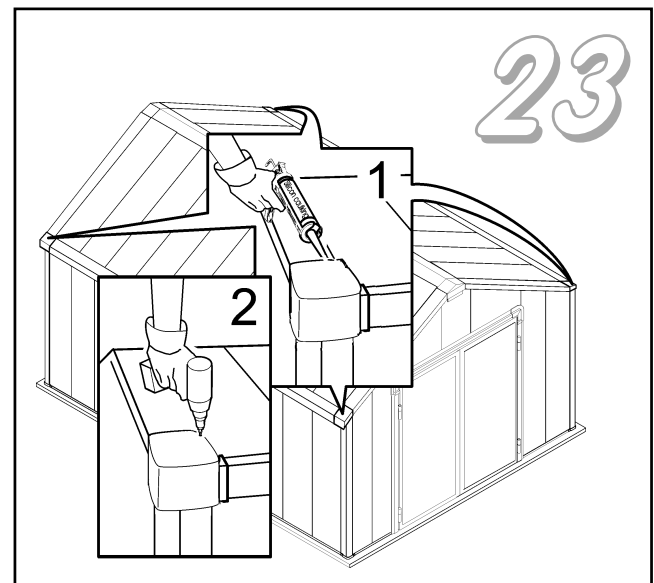
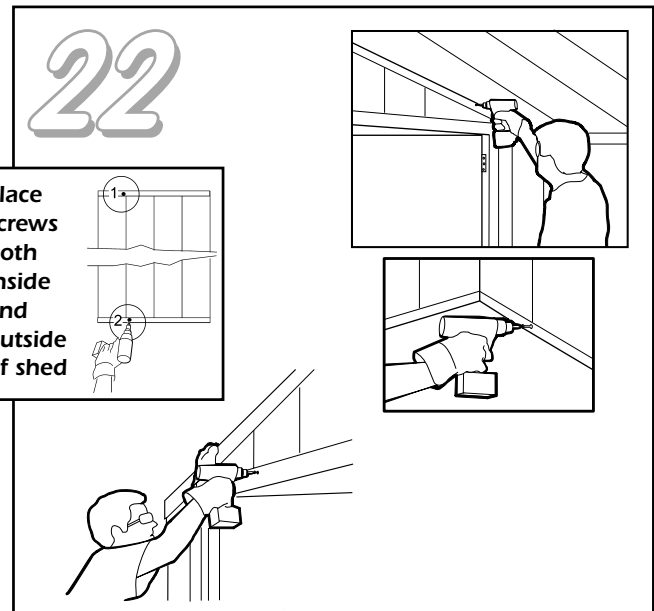
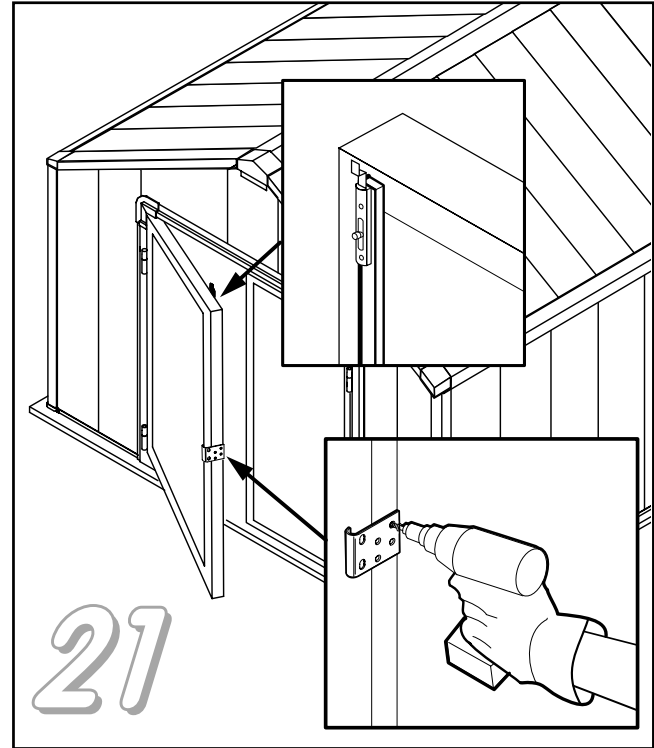
Next, mount the handle/s in place and tighten with screws. (See illustration 21).

Door handles should be placed in the mid-distance between the upper and lower part of the door, using the longer screws provided. Door handles should be mounted only after making sure that doors are square and straight.

Now you should seal the lower part of the structure using silicon caulk sealer, along and in between the edges of the lower U Channel and the foundation.

On the outside, you should also seal around all four Plastic Corner Covers using silicon caulk sealer and secure with a screw.

(See illustration 23-1 and 23-2).



## 14 Enjoy your Cosmos!!

### COSMOS MAINTENANCE SUGGESTIONS

Your Cosmos shed is completely weatherproof. However, you may wish to clean it once in a while. Your Cosmos shed can be washed using a garden hose. If you wish to clean it further, you may use a brush and soap (car washing shampoo or a little detergent will do\*). Rinse thoroughly after soaping.

\* Avoid using chlorine based cleaners, abrasive compounds or other cleaners containing organic solvents such as polish removers since they might affect the paint on the panels.



