



ASSEMBLY MANUAL

Congratulations on the purchase of your new Cosmos™ shed. This is an all-weather tool/utility shed. (See technical details on page 11.)

The instructions in this manual will lead you step-by-step in the assembly of your Cosmos™ shed. It is important to follow them closely.

The factory cannot be held responsible for the incorrect use of any tools or equipment or mis-handling of any building components.

Practice caution when lifting any heavy objects or components.

Always wear gloves during all assembly stages of the Cosmos™ shed.

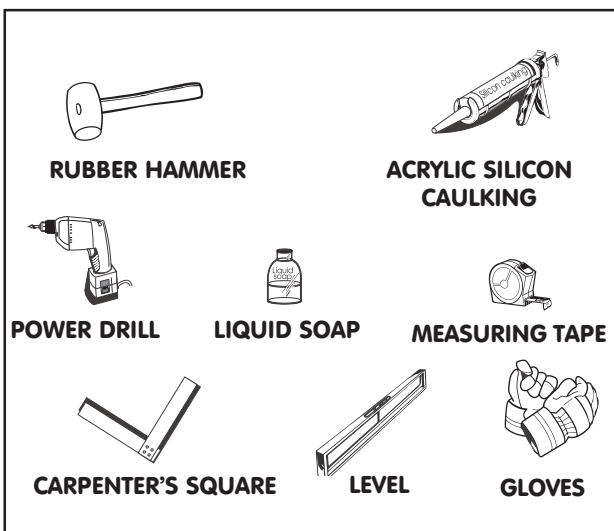
Do not start the assembly procedure if any parts are missing. The assembly procedure should be carried out from beginning to end in one session. The whole procedure requires **two persons** and about two hours of work.

Make sure the building complies with your local building codes.

The building should be securely anchored to the foundation using suitable screws (See page 3.)

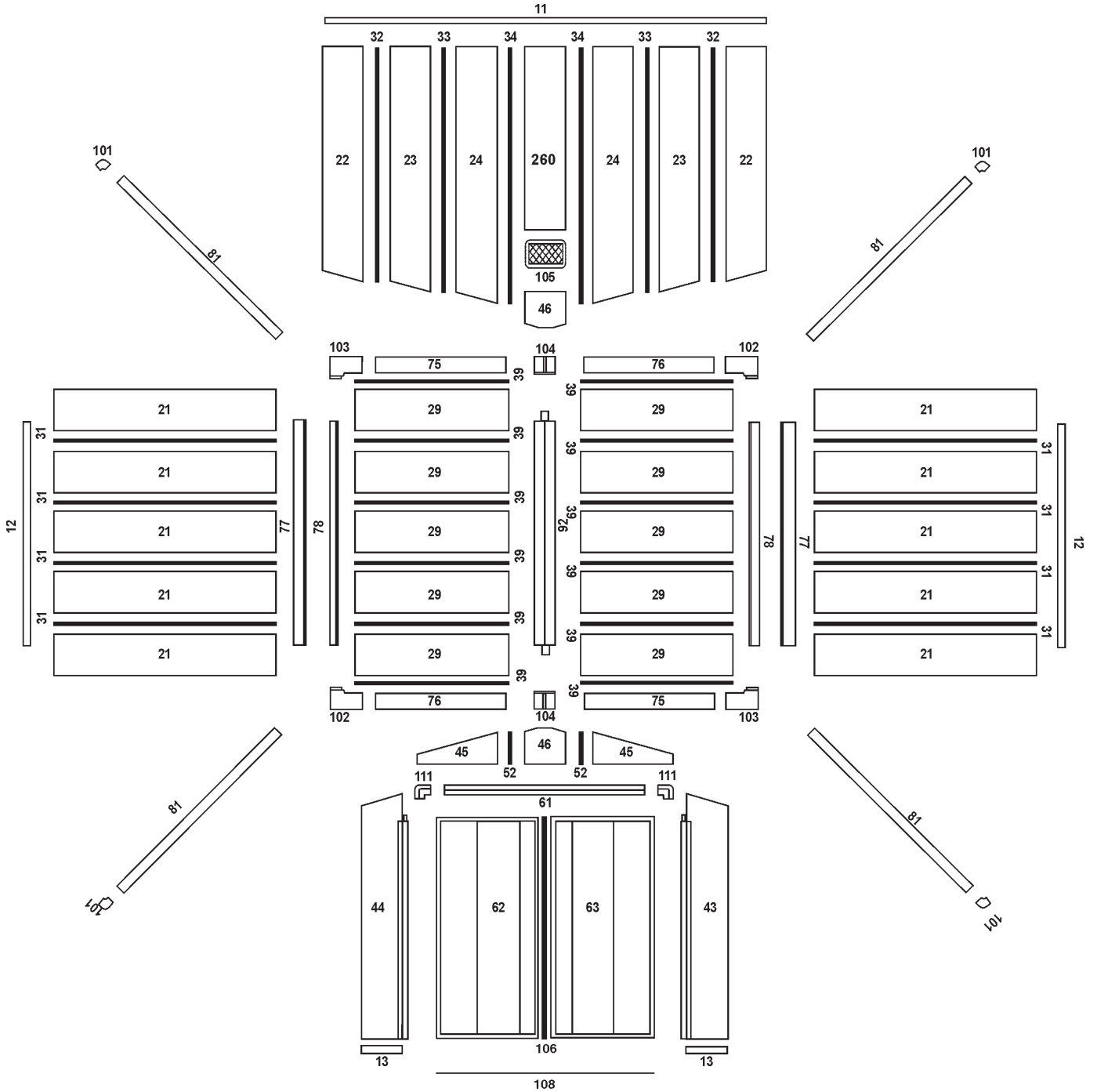
DO NOT ATTEMPT TO ASSEMBLE THE BUILDING IN HIGH WINDS.

1

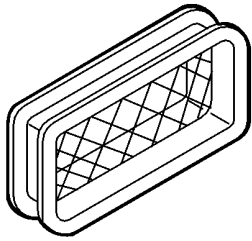


PART LIST	DIMENSIONS		PART N°. (DESIGNATION)	QTY
	Feet	(Meter)		
Parts				
Plastic Channels	7' 4"	2.22m	11	1
	5' 2"	1.58m	12	2
	11'	0.28m	13	2
Side Wall Panels	6'	1.83m	21	11
Rear Wall Panels	6' 4"	1.93m	22	2
Rear Wall Panels	6' 7"	2.01m	23	2
Rear Wall Panels	6' 11"	2.10m	24	2
Lower Vent Panel	5' 6"	1.69m	260	1
Right Front Wall Panel (w/door frame)	5' 9"	1.74m	43	1
Left Front Wall Panel (w/door frame)	5' 9"	1.74m	44	1
Upper Door/Vent Short Panels	1' 1"	0.32m	46	2
Upper Door Short Panels	1'	0.30m	45	2
Roof Panels	4' 2"	1.28m	29	10
Side Wall Smart Connectors	6'	1.82m	31	8
Rear Wall Smart Connectors	6' 4"	1.92m	32	2
Rear Wall Smart Connectors	6' 7"	2.00m	33	2
Rear Wall Smart Connectors	6' 10"	2.09m	34	2
Corner Post	6'	1.82m	81	4
Roof Smart Connectors	4' 2"	1.27m	39	12
Side Wall Cover Molds	5' 3"	1.60m	77	2
Roof Gutters	5' 2"	1.59m	78	2
Right Roof Guides	3' 7"	1.09m	75	2
Left Roof Guides	3' 7"	1.09m	76	2
Upper Door Frame (includes Metal Beam)	4' 9"	1.45m	61	1
Left Door			62	1
Right Door			63	1
Main Roof Beam (includes Metal Beam)	5' 2"	1.58m	92	1
Door Stopper			106	1
Threshold Strip			108	1
Accessories				
(Small Parts all boxed):				
Corner Molds			101	4
Left Corner Covers			102	2
Right Corner Covers			103	2
Main Beam Caps			104	2
Vent Window			105	1
Door Frame Corners			111	2
Upper Door Smart Connectors	11"	0.30m	52	2
Accessory Bag includes :				
Slide Latch			107	1
Screws (includes extras)	10 x 3/4"		(A bag of 150)	1
Screws	10 x 1 1/4"		(A bag of 35)	1
Screws	9 x 1"		(A bag of 14)	1
Door Handles				2
Total Parts				102

Refer to parts list for matching



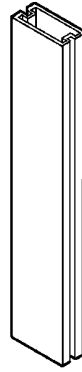
ANY PROBLEM - CALL 1-877-231-SHED



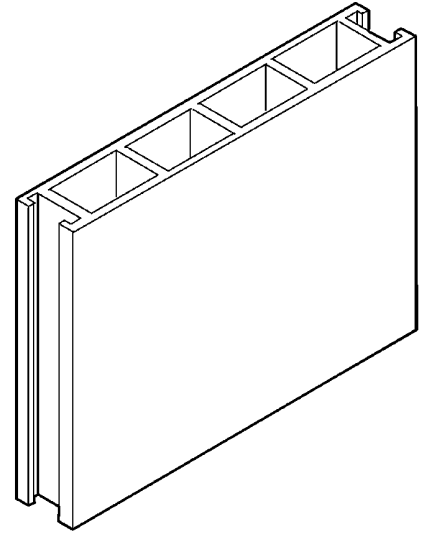
VENT 105



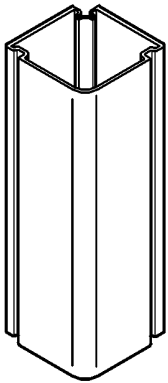
DOOR STOPPER
106



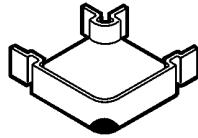
SMART CONNECTOR
31-35,38,52



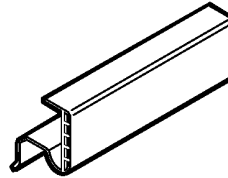
PANEL 21-26,28



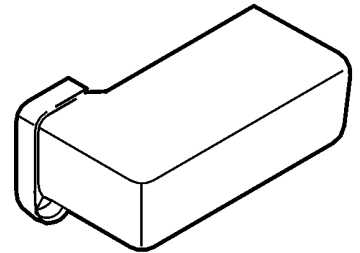
CORNER POST
SMART CONNECTOR
81



LOWER CORNER
MOLD 101

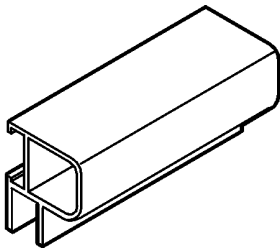


GUTTER 74

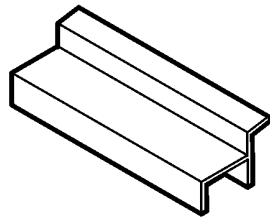


PLASTIC CORNER
COVER 102,103

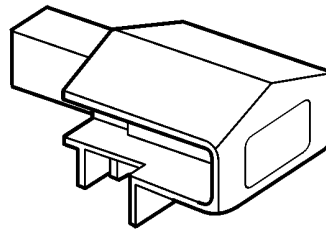
3



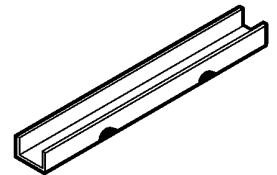
ROOF GUIDE R+L
71,72



SIDE WALL
COVER MOLD 73





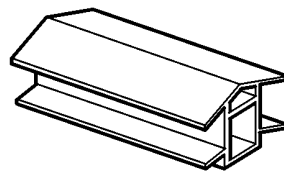
MAIN
BEAM CAPS
104



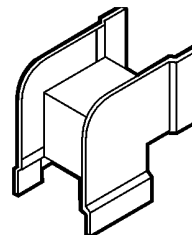
METAL CHANNEL
11,12,13

For Extension Only

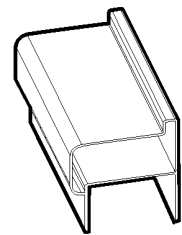
111E  MAIN ROOF BEAM EXT. COVER	112E  GUTTERS EXT. COVER
--------------------------------------------------------------------------------------------------------------------------------	----------------------------------------------------------------------------------------------------------------------



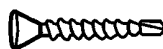
MAIN ROOF
BEAM 91



DOOR FRAME
CORNER 111



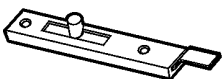
DOOR FRAME
PRE-ASSEMBLED TO
41-42, 64



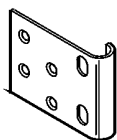
SELF DRILLING SCREW



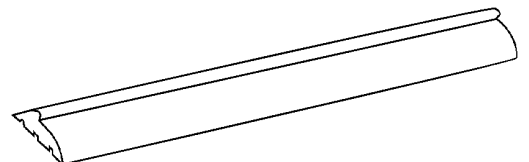
SHORT SCREW



SLIDE LATCH



DOOR HANDLE



THRESHOLD STRIP

1. ADVANCE PREPARATIONS

A. PREPARE THE BUILDING SITE



A foundation is not provided with the product.

Select a site with ample drainage in order to avoid future flooding of the building.

Prepare a level surface measuring at least 10' x 8' (3,05m x 2,44m), and 16' (4,88m) clearance above the building site (the structure is 8' (2,44m) tall).

You should also leave at least 3' (0,92m) free at the sides of the structure: you'll need the space to mount the roof panels.

Make sure the surface is leveled.

You may wish to prepare a more permanent and durable surface using concrete. If so, the concrete slab should be at least 2"- 4" (5cm-10cm) thick and must be completely leveled. Use concrete sealer paint or a cured concrete floor to prevent moisture buildup.



In high wind regions it is recommend and may even be necessary to use a concrete foundation. Please consult you local municipality to adhere to all regulations. We would also suggest purchasing the SMS wind-load kit. (call 1-877-231-Shed)



To prepare the foundation you can consult the Home Depot "Outdoor Project 123" book, chapter - concrete forms.

B. BEFORE YOU START, MAKE SURE YOU HAVE THE FOLLOWING TOOLS WHICH YOU WILL NEED FOR THE ASSEMBLY :

- Two pairs of gloves (one pair for each person)
- A heavy rubber or plastic hammer
- Measuring tape (of at least 18' - 5,5m)
- Short ladder, stool or work bench
- A power drill/screw driver (w/Philips tip)
- A carpenter's square (to measure 90° angles)
- A level
- Acrylic Silicon caulking - Sealer
- Small quantity of liquid soap or detergent
- If your foundation is cement we recommend preparing about 50 1 3/4" (50 mm) TAPCON (anchor) screws (instead of the screws provided) in order to anchor the channels to the foundation.

(see drawings of tools page 1)



The site must be ready and leveled before you start unpacking and assembling the building.

Once you have finished preparing the foundation surface, proceed to the next step: Unpacking the crate with the Cosmos™ kit.

2. UNPACKING THE CRATE WITH THE COSMOS™ KIT

Your Cosmos™ shed comes with all necessary parts included (See part list.)

Find a large area close to the assembly site (at least 15' by 20' (4,60m x 6,10m) where you will lay out the parts to be assembled.

All parts are labeled with their part number.

Very carefully, lay out all the Cosmos™ kit parts in the manner shown on page 2. Find the box containing the accessories and leave it aside (you will use them later on). Although this operation might take some time, it is very important to carry it out exactly as described, for two reasons:

- a) To make sure you have all the parts needed (review the parts list above). If parts are missing, do not start the assembly procedure, and call 1-877-231-SHED or website: WWW.smsil.com
- b) A careful layout of the parts will help to guide you through the assembly procedure.

Once you have finished laying out the parts, proceed to the next step:

The plastic channel assembly.

3. THE PLASTIC CHANNEL ASSEMBLY (PARTS 11,12,13)

Lay out the Plastic Channels labeled 11 through 13. The Plastic channel components should be placed about 1"- 2" (3cm - 5cm) from the border of the foundation.

Start with the longest channel (11) and place it at the rear end of the foundation, in such a manner that the distances remaining on the right and left are equal (use the tape measure). The perforated weep holes should be facing the exterior.



Square the corners using the 3-4-5 triangle technique, adjusting the lines until two points 3 feet and 4 feet from the intersection are exactly 5 feet apart. (See illustration 2).

Attach the corner molds (101) to the channels (you will find them in the accessories box where you found the screws). The corner molds have guides which fit on the OUTSIDE of the channel. (See illustration 1.)

Place two corner molds at both ends (see illustrations) and then place the side plastic channels (two channels, shorter than the rear channel). Make sure the side plastic channels are at a perfect 90° angle to the rear channel (using the carpenter's square) Use the tape to measure the diagonals. They should be exactly equal. (See illustration 2.)

Place the corner molds (parts 101) at both ends, and proceed to lay down the two short plastic channels, one on each side. A gap should be left for the door frame and doors. (See illustration 2.) (A screw will be inserted in this place.)

Before anchoring the u-channel to the foundation place acrylic silicon under the channel, making sure not to block the outer weep holes.

Place line of acrylic silicon caulking on the underside part of channels and corners.

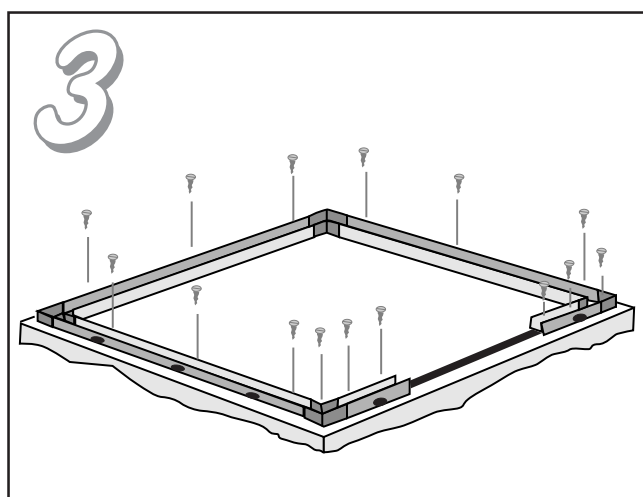
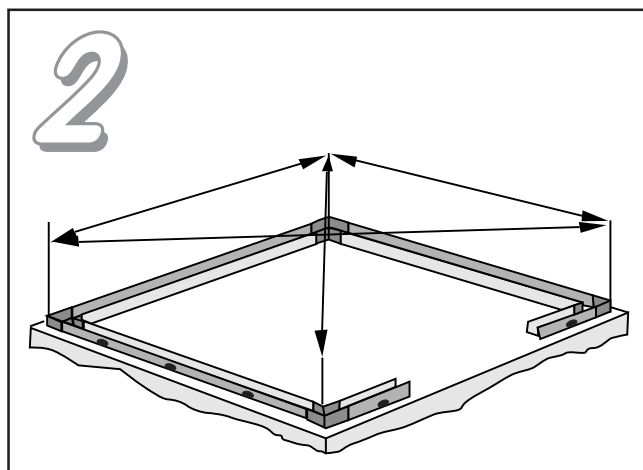
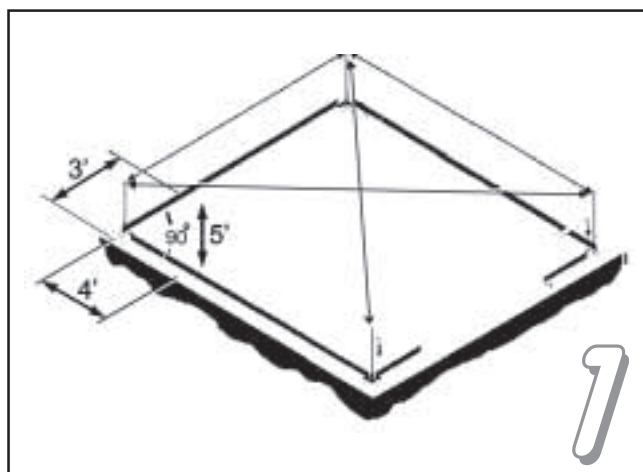
Anchor the Plastic Channels to the foundation using the screws provided, or Tapcon screws if your foundation is concrete. Place a screw every 12" (0,3m) or so (see the following note first). Also anchor the plastic corners using a single screw in the hole provided. (See illustration 3.)

5



It is very important for the plastic channels to be placed exactly at 90° angles. Use the carpenter's square to check the corners again before you anchor every channel part.

Now you may proceed to the next step:
Building the walls.



4. BUILDING THE WALLS

Do not attempt to assemble the building in high winds.

To build the walls you will need the following parts:

Parts to be used:		
Part description	Part #	QTY
Side Wall Panels	21	11
Rear Wall Panels	22-24	6
Upper Vent Panel	46	1
Rear Vent Window	105	1
Side Wall Smart Connectors	31	8
Rear Wall Smart Connectors	32-34	6
Corner Post Smart Connectors	81	4
Front Wall Panels	43-44	2
Lower Vent Panel	260	1



All wall and ceiling parts connect with Smart Connectors. These should slide in easily; however, you may use a liquid soap or detergent (dish washing detergent will do) or rubber hammer in order to make the operation even easier.

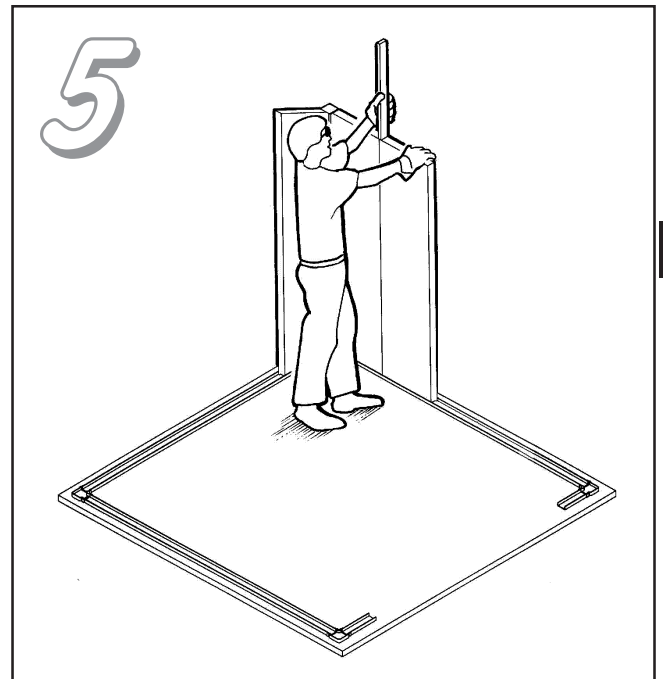
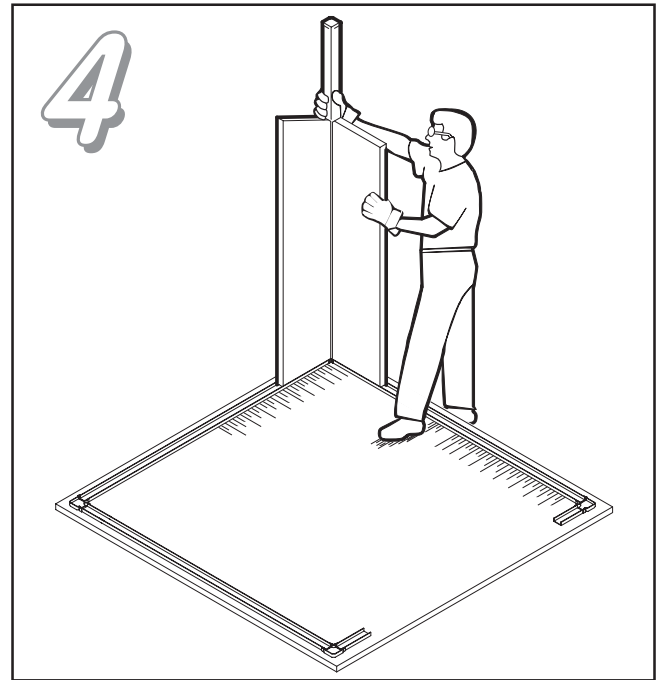
Start building the rear and side walls. Start with a rear corner: place a Side Wall Panel (any 21 will do since they are all the same) and a Rear Wall Panel 22 close to the corner. Connect them with a Corner Post Connector (81). Make sure the Corner Post Connector slides all the way down into the Plastic Corner. (See illustration 4.)

Place the rest of the side panels (21) in the Plastic Channel and connect them with the Side Wall Smart Connectors (31). (See illustration 5.)

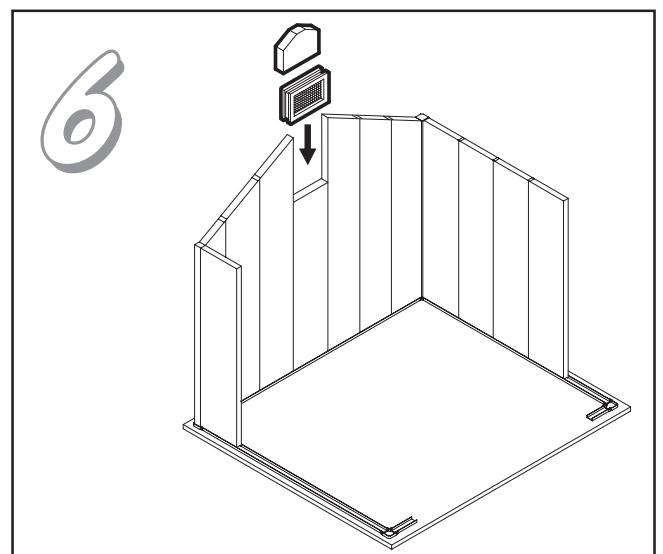
Now proceed to finish the rear wall. Using the appropriate panels (see page 2), place the panels one by one in the plastic channel, always connecting them with the Smart Connectors (32 through 34).

Placing the rear vent:

The remaining side wall panel (260) should fit in the middle of the rear wall. Connect it to the other panels using the Smart Connectors (34). Slide in vent window (105) provided placing the rear vent (see illustration 6) slide in upper vent panel (46) and connect it to panels on its sides.



6



Now that you have erected the walls of your Cosmos™ you may proceed with the next step: Placing the door frames.

5. PLACING THE DOOR FRAMES

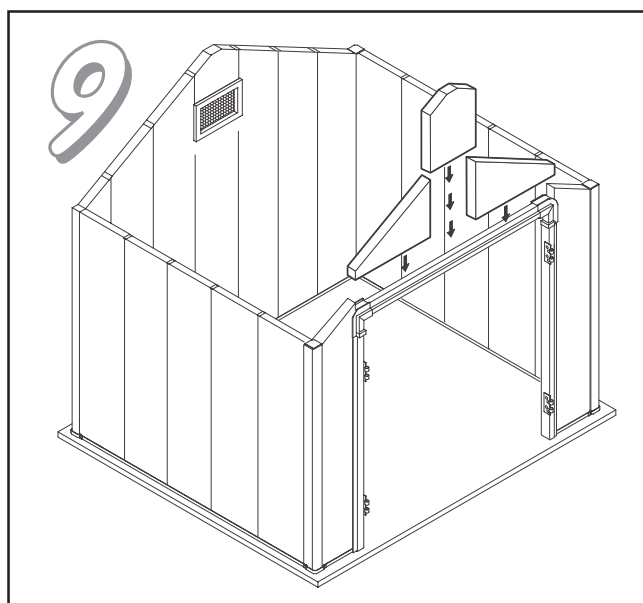
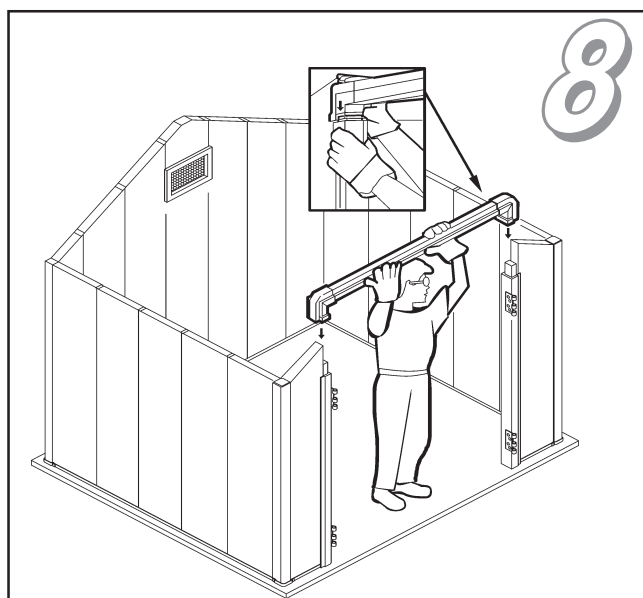
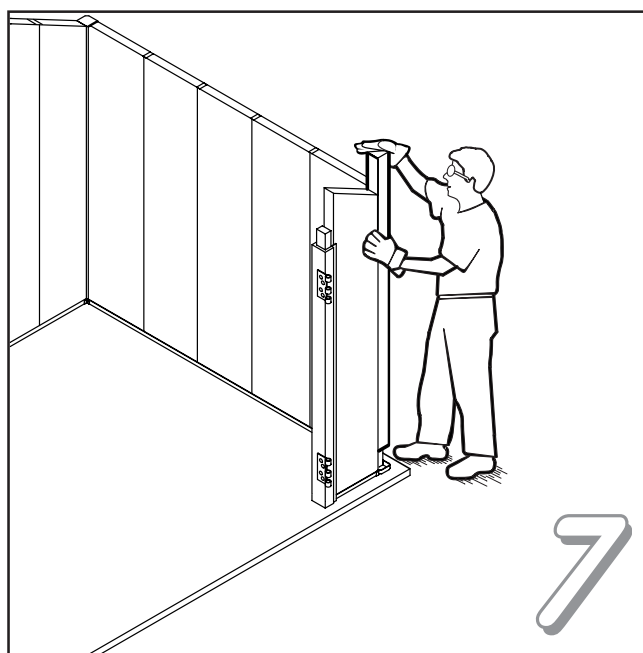
The door hinges have been pre-mounted on a front wall panel at the factory (43 and 44). The hinged frames come with a metal beam inside. All you have to do is connect the panel with the pre-mounted door frame (43 and 44) into the Corner Posts, right and left (see illustration 7).

Now, connect the two Door Frame Corners (111) onto the Upper Door Frame (61)

Next, place the Upper Door Frame (61) on top of the door frame. The Upper Door Frame slides into the Lateral Door Frames: you should push it in gently but firmly (See illustration 8).

Next, slide in the smart connectors (52) and insert the triangular Upper Door Panels (45+46) and the Central Upper Door Panel (See illustration 9).

Now you may proceed to the next step: Placing the main roof beam and doors.



6. PLACING THE MAIN ROOF BEAM AND DOORS

First, slide in the Main Beam Caps (104) on both sides of the Main Roof Beam (92) while still on the floor, before mounting it, and tighten only one side with screws. (See illustration 10.)

Place the Main Roof Beam on the highest part of the structure, exactly in the middle of the roof. The structure comes with ready prepared guides in order to facilitate the placing of the beam exactly in place. Tighten with screws.

(See illustration 11.)

The second side should be tightened only after placing the first 5 Roof Panels on one side of the roof.

Place the left and right doors (62 and 63 which come with hinges already mounted).

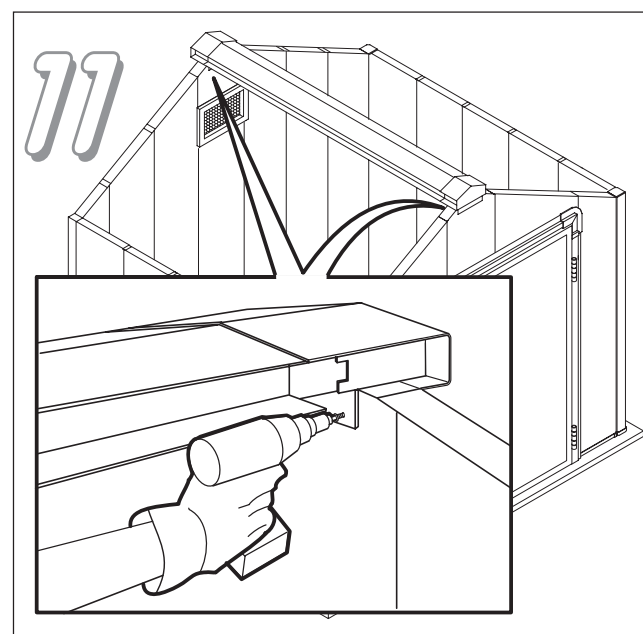
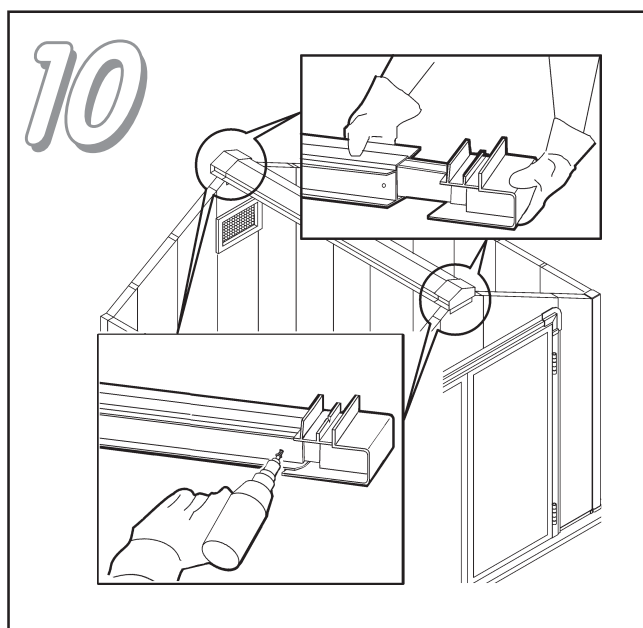
(See illustration 12.)

Now you are ready to start the next step: laying the roof.

7. ROOFING

PARTS TO BE USED:

PART DESCRIPTION	PART #	QTY
Main Roof Beam	92	1
Main Beam Caps	104	2
Roof Panels	29	10
Roof Smart Connectors	39	12
Side Wall Cover Molds	77	2
Plastic Roof Gutters	78	2
Plastic Roof guides	75+76	4
Plastic Corner Covers	102+103	4



Once the doors have been set, make sure the structure is properly aligned. This is done by closing the doors: they should close easily and should be aligned at the top and bottom. If they are not aligned, push the structure from the side to force it into alignment (see diagram). (See illustration 13.)

If the space between the doors is not equal throughout their length, this can be corrected by gently tapping the lower section of the structure with a hammer held against a wooden stick or plank (to soften the blow of the hammer). (See the arrow on illustration 13)

Place the Plastic Roof Guides (76 and 75) into place as shown in the illustration, with the larger part facing out and the open channel side facing in. (See illustration 14.)

Once all four Roof Guides are in place, insert the Side Wall Cover Molds (77). (See illustration 15.)



When placing the Roof Panels, FIRST place the panels on the opposite side to the one you affixed the screw (of the Main Beam Cup). This is in order to have a place to tighten the second cup with a screw on the same side as the first.

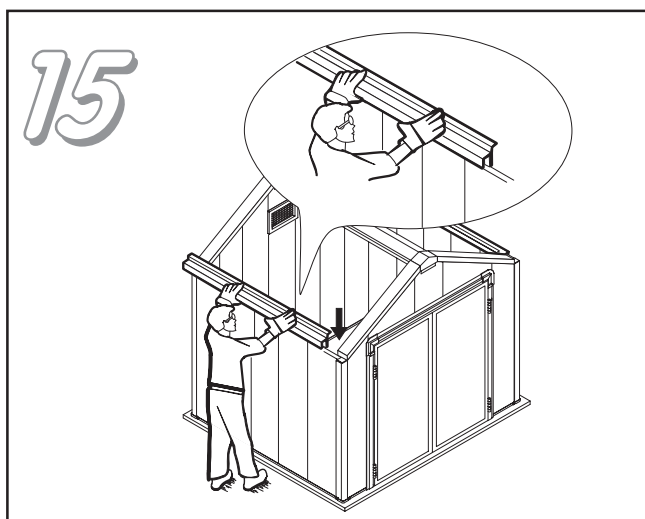
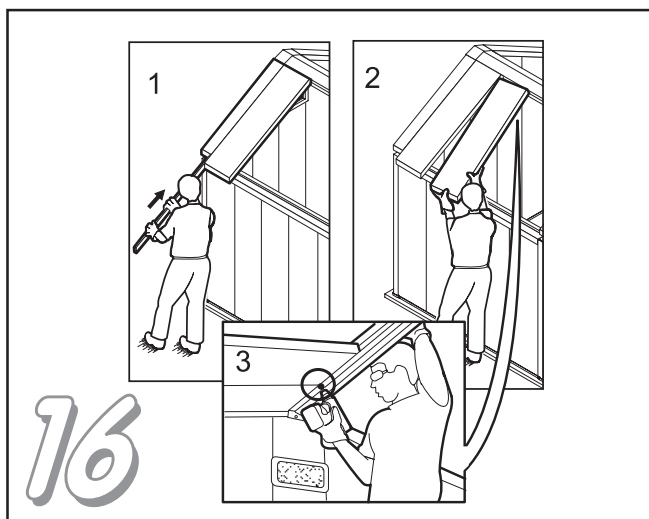
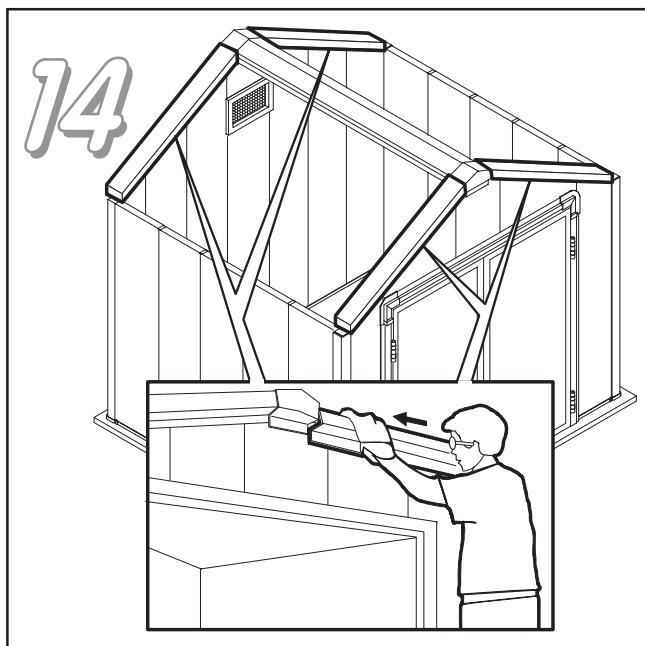
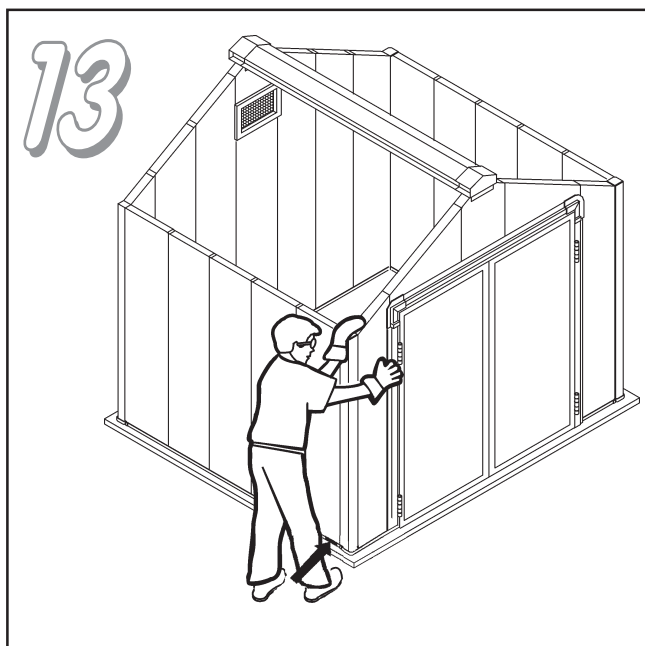
Now start mounting the plastic Roof Panels (29). There are FIVE panels for each side of the roof.

9

This operation should be carried out by two persons, one inside and one outside the structure, in order to facilitate the introduction of the panels into the guide in the Main Roof Beam (91).

Connect the panels with the appropriate Smart Connectors (39) in the same manner as you did with the wall panels. We suggest you start with the left and right roof panels first, and continue towards the center. (See illustration 16.)

Once you have mounted the first 5 panels on one side of the roof, tighten the second Roof Cap (104) with a screw. (See illustration 11.)





We suggest you tighten with a screw every Roof Panel you slide into place, on the inside and into the Central Roof Beam, in order to avoid its sliding out again. In general, screws that tighten panels should be placed to the left and right of their junction line (see note below in "Tightening and finishing the structure"). (See illustration 17a.)

Once the roof panels are in place (and tightened with screws), place the Roof Gutters (78).

(See illustration 17b.)

Now proceed to insert the Plastic Corner Covers (102+103) and tighten them with screws.

(See illustration 18.)

Your Cosmos™ shed should now be completely assembled. Inspect it to make sure that no parts are missing and that everything is in its proper place. You are now ready for the last step of the operation: Tightening and Finishing the Structure.

8. TIGHTENING AND FINISHING THE STRUCTURE

First of all, close the doors, look at the structure and make sure it is standing straight. If not, push it a little from one of the corners until it stands straight. Make sure the doors are perfectly aligned at the top and bottom. (See illustration 13 on page 9.)

At this point, you should also use your carpenter square to verify that all angles are exactly 90°.

(See illustration 18.)

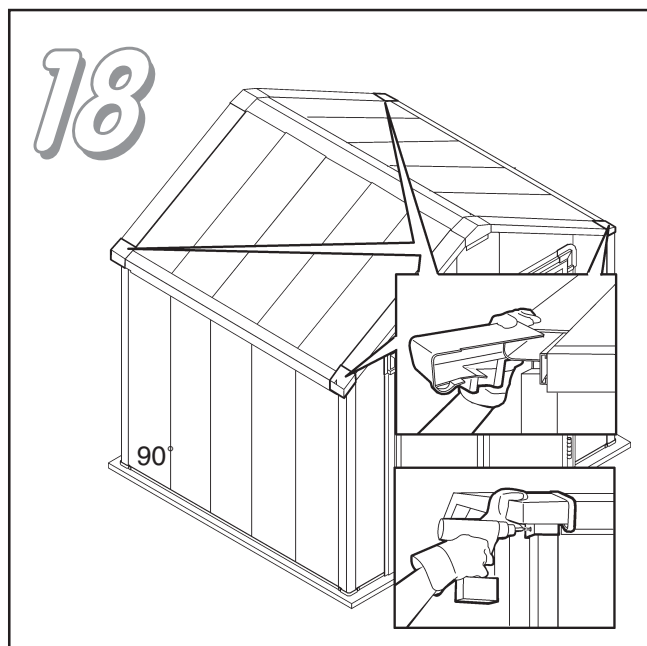
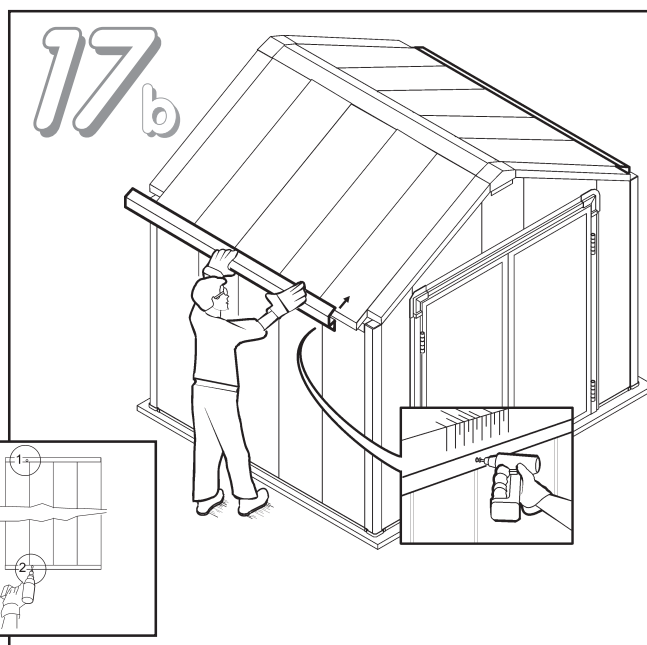
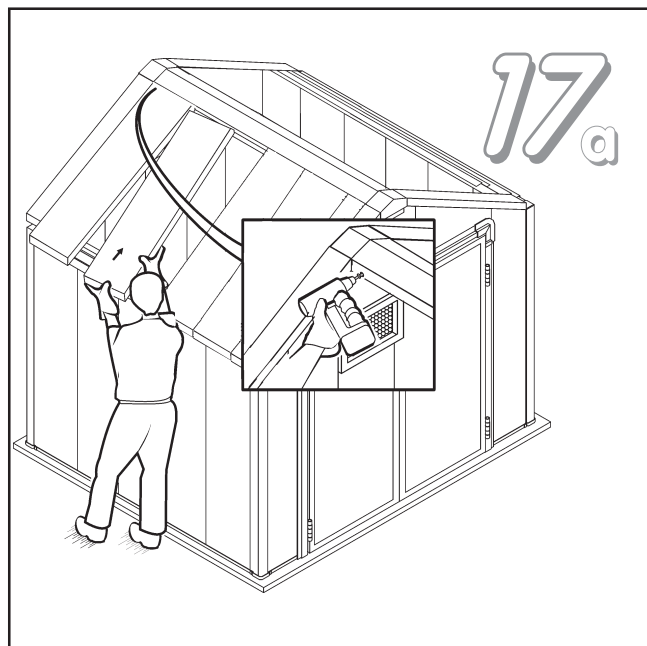
Now tighten the structure by placing screws on the outside. Tighten the Roof Gutters using the short screws provided. (See illustration 17b.)

In the upper part of each panel, place the screws about a quarter inch (7mm) to the right of the panel union line. In the lower part of each panel, place the screws about a quarter inch (7mm) to the left of the panel union line. Do so both on the outside and the inside the structure.

Affix the Door Stopper (106) on the inside of the left door, along its inner long edge, using the screws provided. Make sure it is straight.

Next, place the Door Latch on the inside of the left door, so the latch is flush -or a bit below- the upper edge of the door. Use two 1" screws (provided) to tighten into place.

Screw the threshold strip into floor directly under door line for added protection against rain. Caulk strip with acrylic silicon before attaching to floor.



Next, mount the handles in place and tighten with screws. (See illustration 19).

Door handles should be mounted only after making sure that the doors are square and straight. Door handles should be placed in the mid-distance between the upper and lower part of the door, using the self drilling screws provided. We suggest marking and pre-drilling holes before securing handles to doors.

Now tighten the structure by placing screws in the inside, on every panel junction (where the Smart Connectors should be), in its lower and upper part. Do so for the wall panels, the roof panels and the door frames. (See illustration 20).

On the outside, you should also seal around all four Plastic Corner Covers (102, 103) using acrylic silicon caulk sealer and secure with a screw.

(See illustration 21).



We recommend you tighten the screws until they are flush with the panels (but no further). If you are using a clutched screwdriver, set the torque to an intermediate position.

Using acrylic silicon caulk sealer, seal along and in between the edge of the lower plastic channel and the foundation from the **inside only**, making sure to also seal corners.

Enjoy your Cosmos™ !!.

COSMOS™ MAINTENANCE SUGGESTIONS

You may wish to clean your Cosmos™ shed once in a while using a garden hose. If you wish to clean it further, you may use a brush and soap (car washing shampoo or a little detergent will do*). Rinse thoroughly after soaping.

For added protection against rains during high winds we suggest raising items sensitive to moisture off the foundation floor.

- * Avoid using chlorine based cleaners, abrasive compounds or other cleaners containing organic solvents such as polish removers, since they might affect the paint on the panels.

TECHNICAL DETAILS

Length	8 feet	2,44m
Width	6 feet	1,83m
Height	7 feet	2,14m
Color	(inside and out)	Off White

